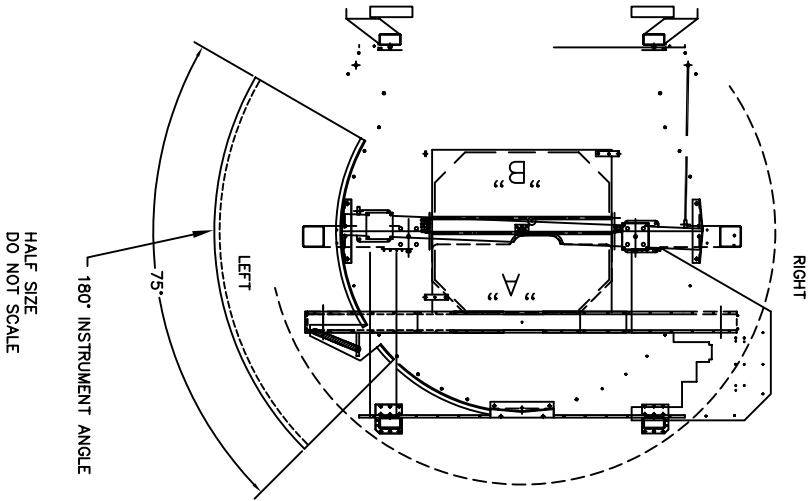


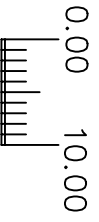
INCHES

-0 SUB-ASSEMBLY

NOTES:
1. NEXT ASSY: D8801-1



HALF SIZE
DO NOT SCALE



CHANGED BY
ECO # 81601



1/5

KECK/DEIMOS
FORWARD STRUCTURE
DETAIL

D8805.A

LEFT -1 180° PANEL

NOTES:
1. NEXT ASSY: D8801-1
2. CUTOUT IS FOR GRATING SLIDE SCREW BRACE

