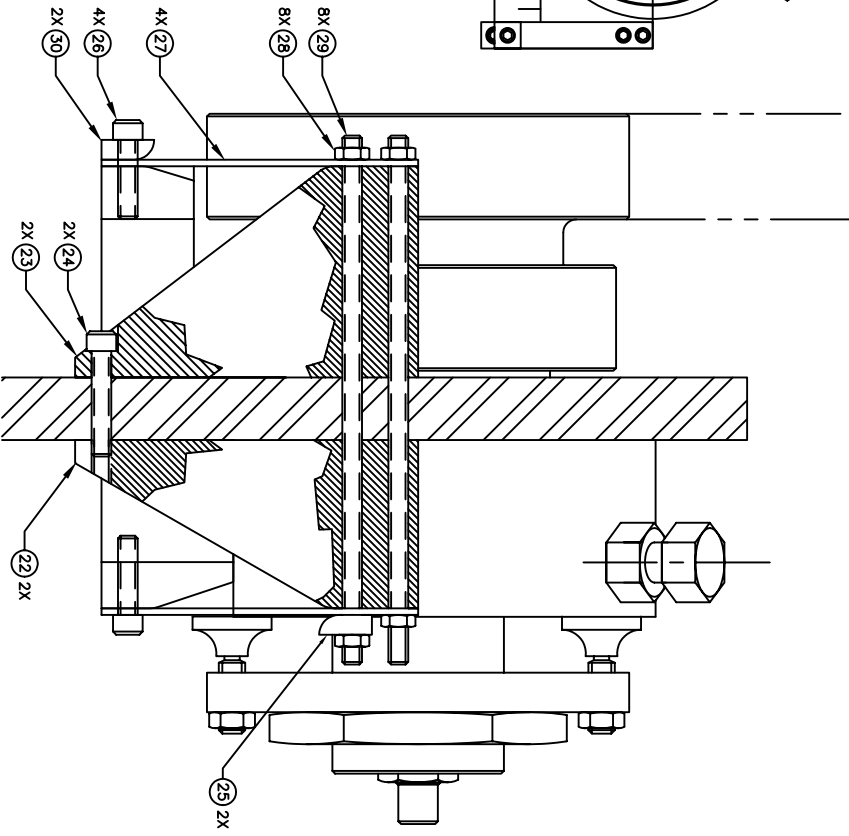


FRONT VIEW
0.5XP



-1- LARGE ROLLER ASSY

2 REQ'D
NEXT ASSY: D6135-1
1.0XP

38	2	HEX NUT 3/4"-18	17	1	REAR SUSPENSION BAR	STEEL	D6113-2	18	1	7/8"-14 NUT	S.S.	D6113-2	19	4	1/8"-24 CAP SCREW	S.S.	D6113-1	20	4	3/8"-24 CAP SCREW	S.S.	D6113-1	21	1	REAR BRACKET	STEEL	D6113-4	22	2	REAR BRACKET	STEEL	D6113-4	23	2	FRONT BRACKET	STEEL	D6113-4	24	4	3/8"-24 CAP SCREW	S.S.	D6113-1	25	4	1/8"-24 CAP SCREW	S.S.	D6113-1	26	4	3/8"-24 CAP SCREW	S.S.	D6113-2	27	4	HANDLER	STEEL	D6113-6	28	4	3/8"-24 NUT	S.S.	D6113-3	29	4	3/8"-24 ALU. THREADED	S.S.	D6113-8	30	4	3/8"-24 NUT	S.S.	D6113-8	31	1	SHIM	STEEL	D6112-4	32	1	1/4" DOWEL PIN	STEEL	D6112-4	33	1	SLEEVE	STEEL	D6112-1	34	6	5/16"-18 SET SCREW	STEEL	D6112-1	35	6	5/16"-18 SET SCREW	STEEL	D6112-1	36	2	HEX NUT 3/4"-18	STEEL	D6113-2	37	1	FLAT WASHER	S.S.	D6113-2	38	1	FLAT WASHER	S.S.	D6113-2	39	1	SPR. BEARING	BRASS	D6113-5	40	1	SPR. BEARING	BRASS	D6113-5	41	1	BEARING SUPPORT	STEEL	D6112-2	42	1	BEARING SUPPORT	STEEL	D6112-2	43	1	NUT	S.S.	D6112-3	44	1	1/2" PLATE	S.S.	D6112-2	45	1	1/2" PLATE	S.S.	D6112-2	46	1	DRUM-JANE FOOT	STEEL	D6113-7	47	1	DRUM-JANE FOOT	STEEL	D6113-7	48	1	FRONT BRACKET	STEEL	D6113-4	49	1	FRONT BRACKET	STEEL	D6113-4	50	1	FRONT SUSP. BAR	STEEL	D6113-3	51	1	FRONT SUSP. BAR	STEEL	D6113-3	52	1	WASHER BLOCK	STEEL	D6113-1	53	1	WASHER BLOCK	STEEL	D6113-1	54	1	REAR ROLLER ASSY	STEEL	D6110-E	55	1	REAR ROLLER ASSY	STEEL	D6110-E	56	1	DRUM WHEEL	STEEL	D6110-E
----	---	-----------------	----	---	---------------------	-------	---------	----	---	-------------	------	---------	----	---	-------------------	------	---------	----	---	-------------------	------	---------	----	---	--------------	-------	---------	----	---	--------------	-------	---------	----	---	---------------	-------	---------	----	---	-------------------	------	---------	----	---	-------------------	------	---------	----	---	-------------------	------	---------	----	---	---------	-------	---------	----	---	-------------	------	---------	----	---	-----------------------	------	---------	----	---	-------------	------	---------	----	---	------	-------	---------	----	---	----------------	-------	---------	----	---	--------	-------	---------	----	---	--------------------	-------	---------	----	---	--------------------	-------	---------	----	---	-----------------	-------	---------	----	---	-------------	------	---------	----	---	-------------	------	---------	----	---	--------------	-------	---------	----	---	--------------	-------	---------	----	---	-----------------	-------	---------	----	---	-----------------	-------	---------	----	---	-----	------	---------	----	---	------------	------	---------	----	---	------------	------	---------	----	---	----------------	-------	---------	----	---	----------------	-------	---------	----	---	---------------	-------	---------	----	---	---------------	-------	---------	----	---	-----------------	-------	---------	----	---	-----------------	-------	---------	----	---	--------------	-------	---------	----	---	--------------	-------	---------	----	---	------------------	-------	---------	----	---	------------------	-------	---------	----	---	------------	-------	---------

SECTION A-A

A	MINI	LOAD	FRONT	DRUM 3" x 33"
B	MINI	LOAD	FRONT	DRUM 3" x 33"
C	1/2" MIN	LOAD	FRONT	DRUM 3" x 33"
D	1/2" MIN	LOAD	FRONT	DRUM 3" x 33"
E	1/2" MIN	LOAD	FRONT	DRUM 3" x 33"

N.A.

KECK/DEIMOS
LARGE ROLLER ASSEMBLY
D6110E

INCHES