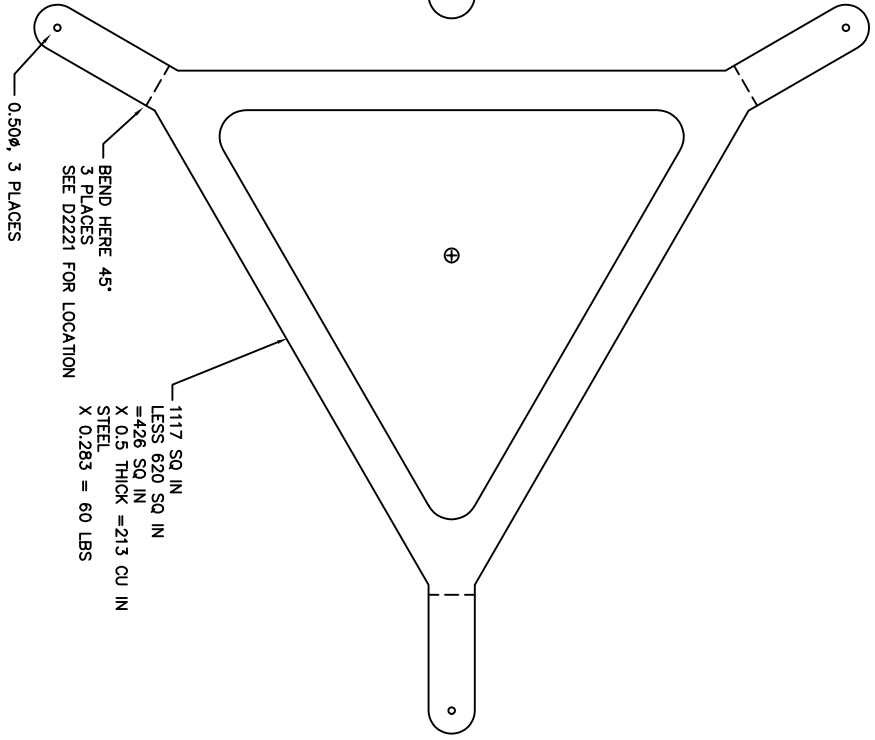


(-1) LIFTING SPIDER

1 REQ'D
STEEL

- NOTES:
1. D2225-1 IS BURNING DRAWING.
 2. NEXT ASSY: D2221-1



BEND HERE 45°
3 PLACES
SEE D2221 FOR LOCATION

1117 SQ IN
LESS 620 SQ IN
= 496 SQ IN
X 0.3 THICK = 213 CU IN
STEEL
X 0.283 = 60 LBS

0.500, 3 PLACES

INCHES

0.00 4.00

1/4

KECK/DEIMOS
COLLIMATOR MIRROR
LIFTING SPIDER

J. 5.17.00
D2223