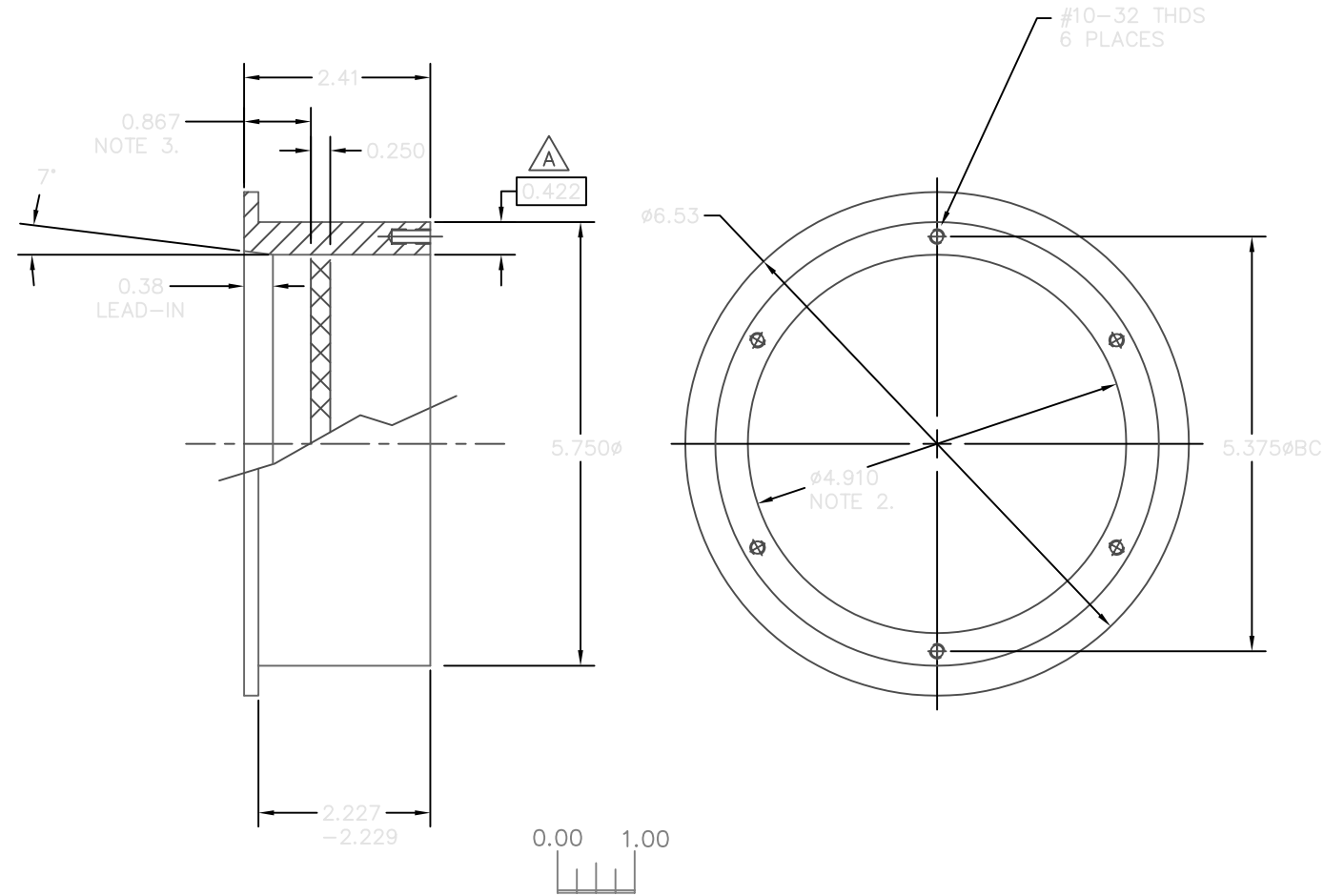


-2 KEEPER

1 REQ'D STEEL

NOTES:

1. NEXT ASSY: D2210-1



-1 HUB

1 REQ'D STEEL

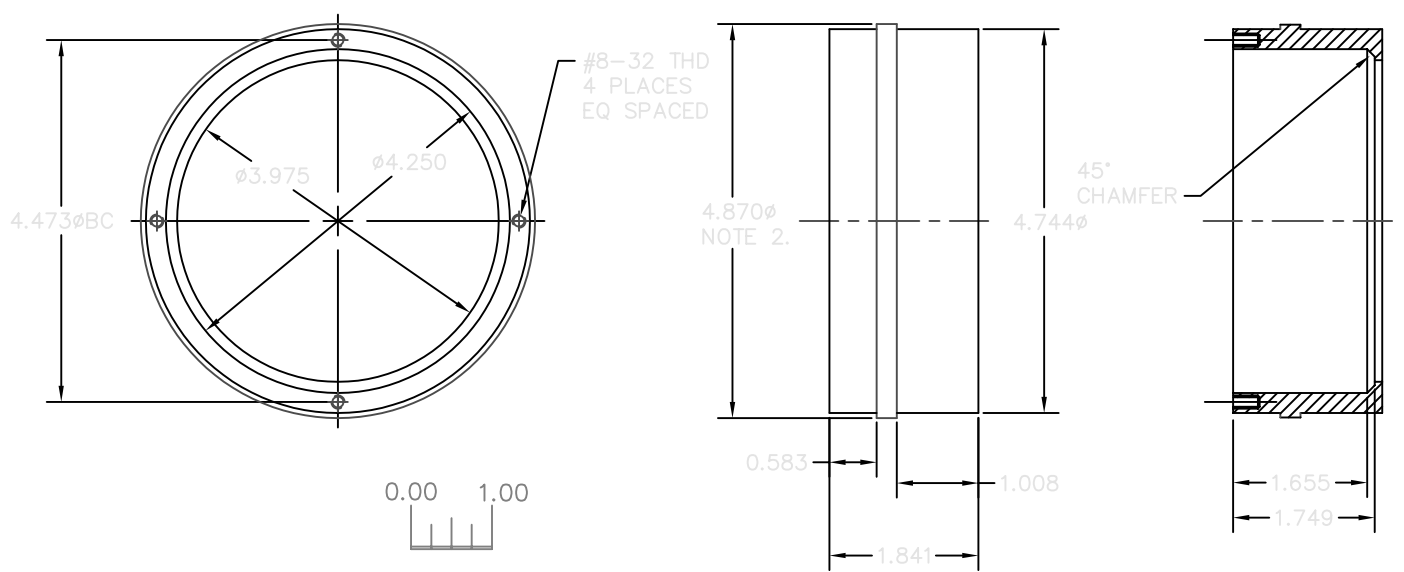
NOTES:

1. NEXT ASSY: D2210-1

2. DESIGN CLEARANCE: ZERO ON LOAD-CARRYING SIDE AND 0.040 GAP ON THE OTHER SIDE.

3. NOMINAL CONTACTING ZONE.

CHANGED BY ECO # 3600



-3 LOAD POINT

1 REQ'D STEEL

NOTES:

1. NEXT ASSY: D2210-1

2. DESIGN CLEARANCE: ZERO ON LOAD-CARRYING SIDE AND 0.040 GAP ON THE OTHER SIDE.

1.0XP



A	5 12 00	j.o.	UPDATE AT ASSEMBLY.
B	8 21 00	j.o.	C'BORE ADDED TO ITEM -2 TO CLEAR TOOL.

N.A.

KECK/DEIMOS

COLLIMATOR MIRROR CELL CENTER SUPPORTS DETAIL

j.o. 3 6 00

D2217.B

INCHES