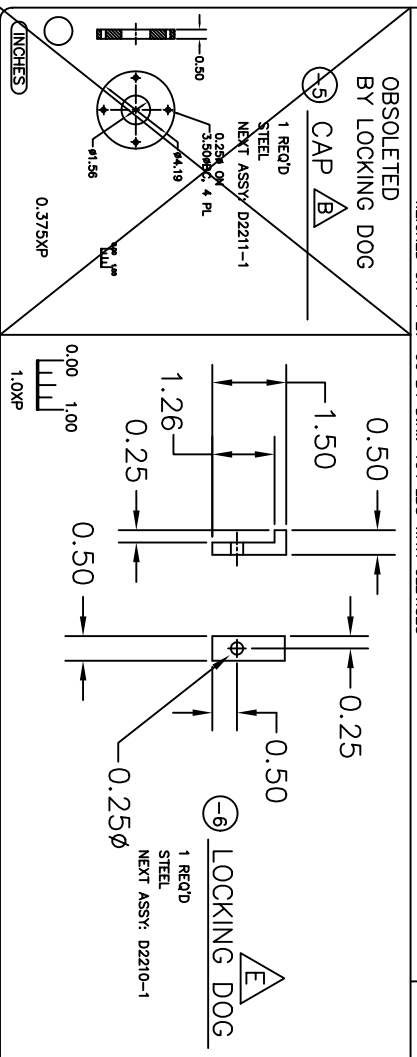


(-1) WEIGHT ASSEMBLY

1 REQD
NEXT ASSY: D2210-1
GOAL: 105 LBS WITH CLEVISES
WEIGHED ON 4-27-00 BY D.K.: 104 LBS WITH CLEVISES

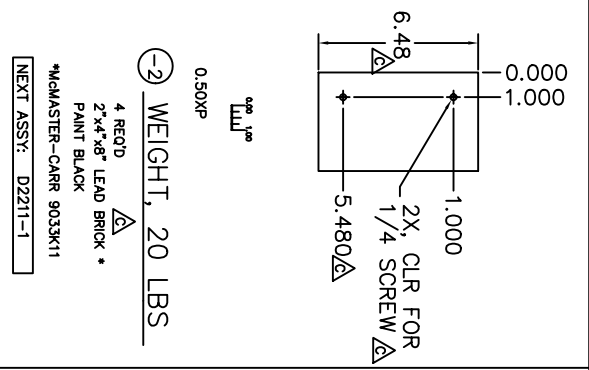


(-5) CAP

1 REQD
STEEL
NEXT ASSY: D2211-1

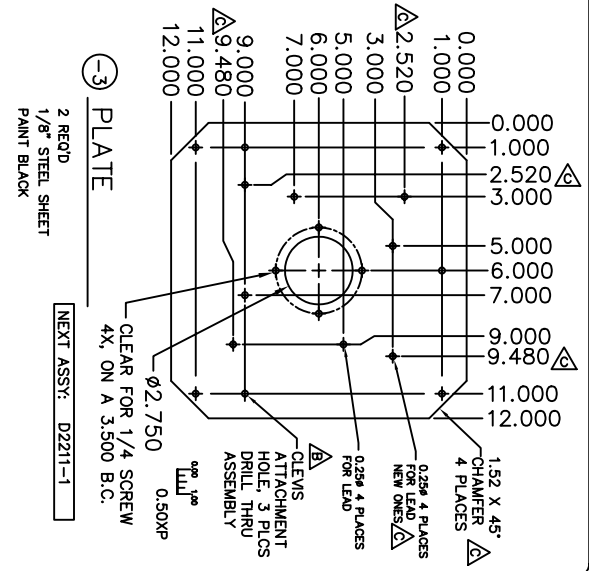
(-6) LOCKING DOG

1 REQD
STEEL
NEXT ASSY: D2210-1



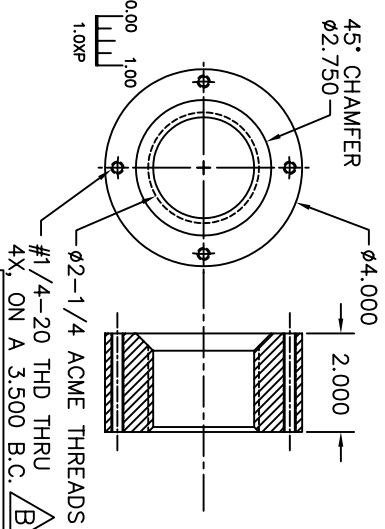
(-2) WEIGHT, 20 LBS

4 REQD
2"x4"x8" LEAD BRICK *
PAINT BLACK
*MCMASTER-CARR 9033K11
NEXT ASSY: D2211-1



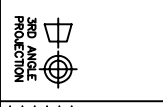
(-3) PLATE

2 REQD
1/8" STEEL SHEET
PAINT BLACK
NEXT ASSY: D2211-1



(-4) HUB

1 REQD
STEEL
BLACK OXIDE
NEXT ASSY: D2211-1



N.A.

REV	DATE	DESCRIPTION
1	1/2/00	INITIAL DESIGN
2	1/2/00	REVISED
3	1/2/00	REVISED
4	1/2/00	REVISED
5	1/2/00	REVISED
6	1/2/00	REVISED
7	1/2/00	REVISED
8	1/2/00	REVISED
9	1/2/00	REVISED
10	1/2/00	REVISED
11	1/2/00	REVISED
12	1/2/00	REVISED
13	1/2/00	REVISED
14	1/2/00	REVISED
15	1/2/00	REVISED
16	1/2/00	REVISED
17	1/2/00	REVISED
18	1/2/00	REVISED
19	1/2/00	REVISED
20	1/2/00	REVISED

KECK/DEIMOS
COLLIMATOR MIRROR CELL
COUNTERWEIGHT
EJ 9/8/98
D2211.E