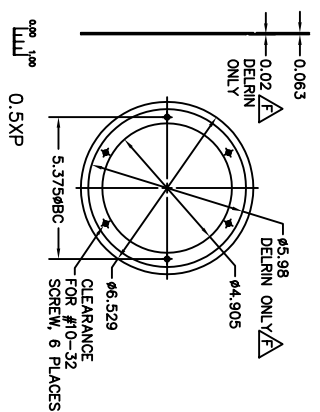


-2- LEVER

1 RECD
 STEEL, CARBORIZED
 BLACK OXIDE
 NEXT ASSY: D2210-1
 USES A TOOL TO INSTALL OR REMOVE. D2213-1

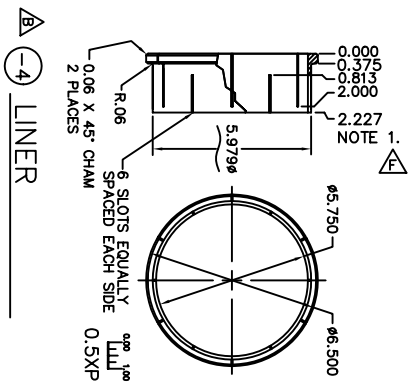


-5A- DELRIN PAD

1 RECD
 0.06 DELRIN SHEET
 NEXT ASSY: D2210-1

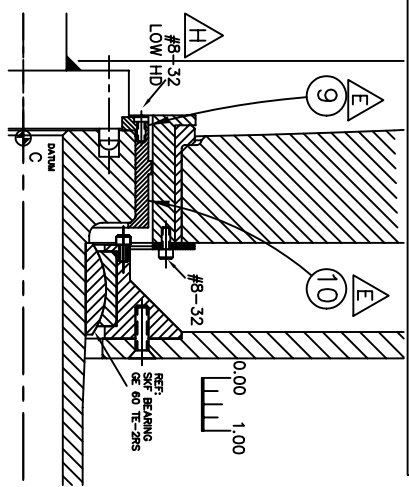
-5B- FLANGE

1 RECD
 0.12 STEEL
 NEXT ASSY: D2210-1



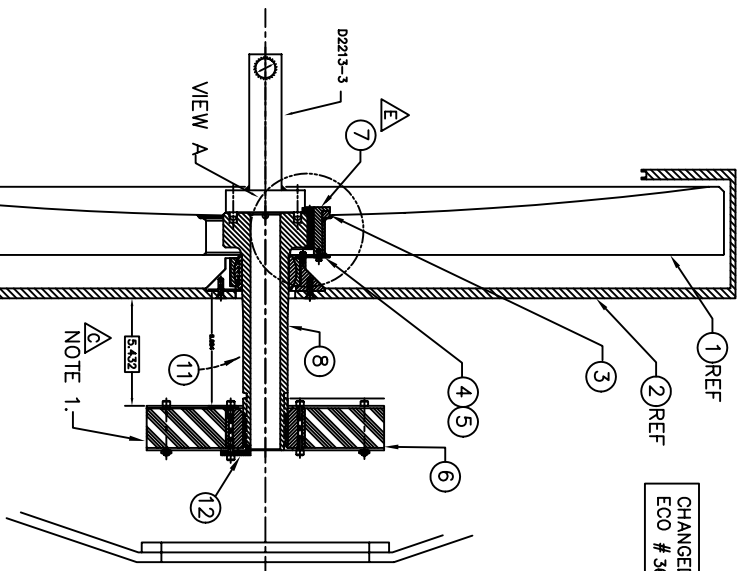
-4- LINER

1 RECD
 BLACK DELRIN
 NEXT ASSY: D2210-1
 NOTES:
 1. SHORTER BY A LITTLE BIT ON 5.300 AT ASSEMBLY



-1- COUNTERWEIGHT ASSEMBLY

1 RECD
 NEXT ASSY: D2100-1
 NOTES:
 1. SEE D2215 FOR WEIGHT SUPPORTS



CHANGED BY
 ECO # 3600

INCHES

QTY	ITEM NO.	DESCRIPTION
1	32100	COLLIMATOR MIRROR CELL COUNTERWEIGHT
1	32101	LEVER
1	32102	LINER
1	32103	DEL RIN PAD
1	32104	FLANGE
1	32105	DEL RIN SHEET
1	32106	COUNTERWEIGHT ASSEMBLY
1	32107	LOCKING RING
1	32108	STEEL

REV	DATE	BY	DESCRIPTION
A	12/10/00	KECK	ISSUE FOR MANUFACTURE
B	12/10/00	KECK	ISSUE FOR MANUFACTURE
C	12/10/00	KECK	ISSUE FOR MANUFACTURE
D	12/10/00	KECK	ISSUE FOR MANUFACTURE
E	12/10/00	KECK	ISSUE FOR MANUFACTURE
F	12/10/00	KECK	ISSUE FOR MANUFACTURE

KECK/DEIMOS
 COLLIMATOR MIRROR CELL
 COUNTERWEIGHT
 D2210/H