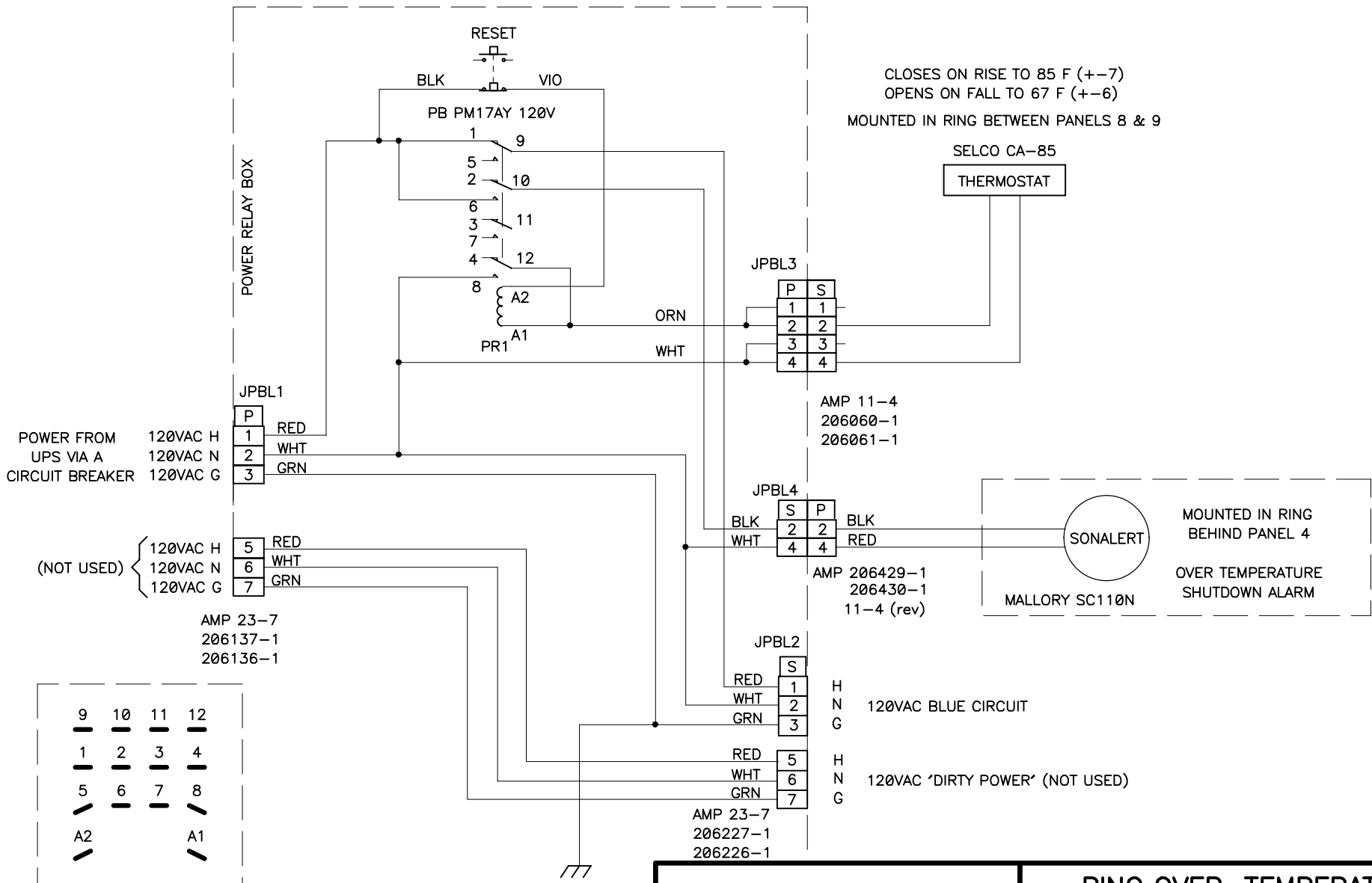


UNIVERSITY OF CALIFORNIA
LICK OBSERVATORY

RING OVER-TEMPERATURE
RING AC - 'ORANGE CIRCUIT'
DEIMOS SPECTROGRAPH

REVISION	
05-24-01	CORRECTED JPV3 & JV3 WIRING TO MATCH ESI
06-08-01	CHANGED THERMOSTAT PART NUMBER FROM SA-85-A TO CA-85
09-13-01	CLEANED UP DRAWING AND NAMED IT 'ORANGE CIRCUIT'
09-13-01	ADDED 2ND SHEET FOR BLUE CIRCUIT
09-25-01	ADDED COLORS FOR WIRES
10-25-01	CORRECTED WIRING TO 'P' SIDE OF J50 TO MATCH REALITY
11-21-01	SHEET 2 UPDATED

DES'N BY: Ricketts, BA	ORIGIN DATE: 05-31-96	DWG. NO. NUM. 1 OF 2
DRAWN BY:	MODIFY DATE: 11-21-01	
PATH: DEIMOS\TEMPMONB	REV. A	EL-3003



UNIVERSITY OF CALIFORNIA LICK OBSERVATORY		RING OVER-TEMPERATURE RING AC - 'BLUE CIRCUIT' DEIMOS SPECTROGRAPH	
		DES'N BY: Ricketts, BA	ORIGIN DATE: 05-31-96
DRAWN BY:		MODIFY DATE: 11-21-01	DWG. NO. NUM. 2 OF 2
PATH: DEIMOS\TEMPMONB		REV. A	EL-3003

REVISION	
09-13-01	ADDED THIS SHEET
09-25-01	ADDED COLOR TO WIRES
10-19-01	REMOVED CCD CONTROLLER AS A SHUTDOWN SOURCE
11-21-01	REMOVED THE "PRELIMINARY" LABEL.