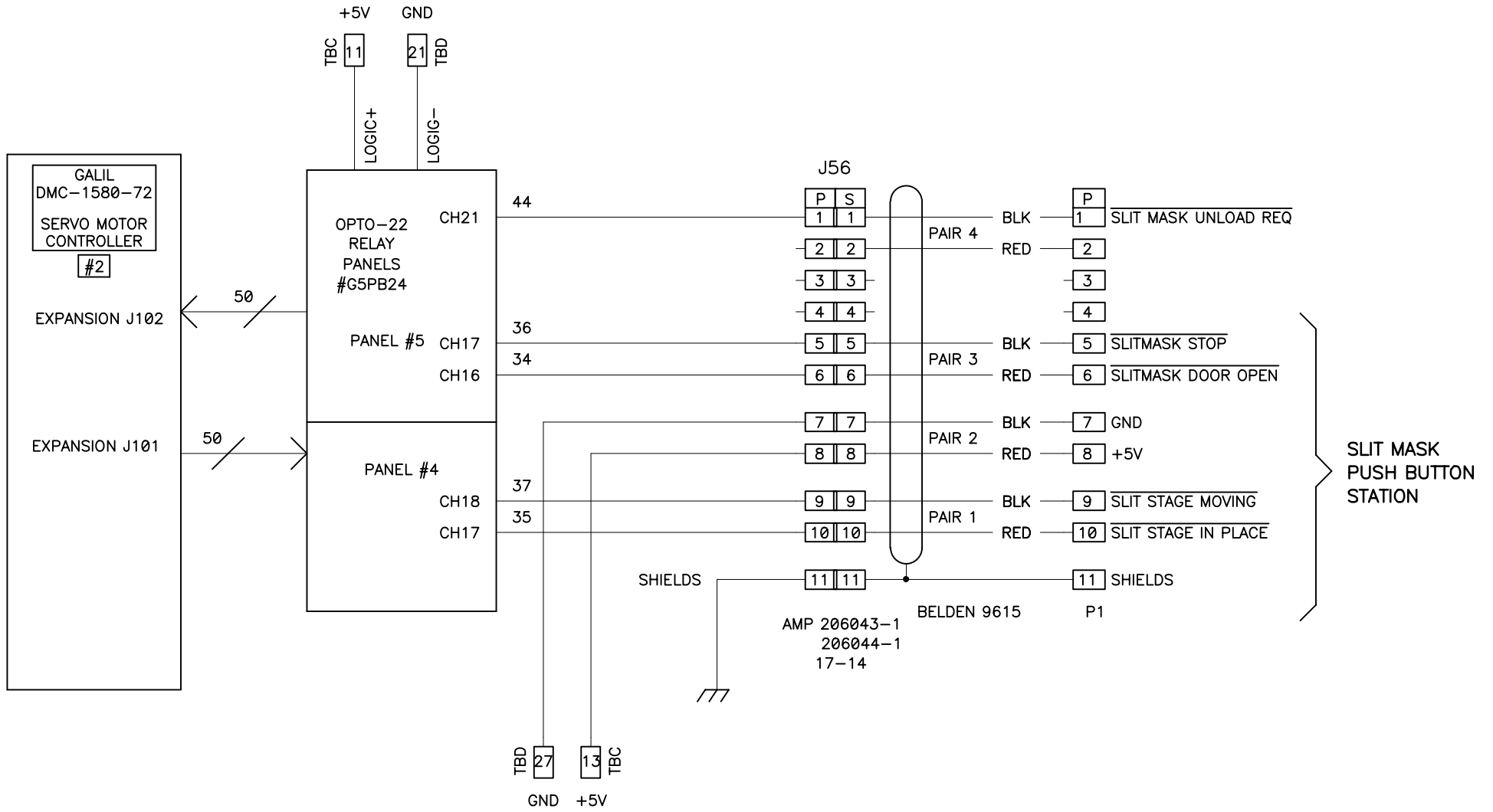


REVISION

- 01-03-01 SLIMPLIFIED CIRCUIT TO A SINGLE PUSHBUTTON TO MOVE CASSETTE TO LOAD POSITION
- 07-13-01 ADDED WIRE COLORS ON SHEET 2
- 09-16-01 ADDED MOLEX & AMP CONNECTOR INFORMATION
- 11-19-01 CORRECTED SIGNAL NAMES TO MAKE CONSISTENT WITH OTHER DRAWINGS
- 11-29-01 REMOVED RES. DEF. (PB 1 & PB 14) FROM PUSHBUTTONS AND RENAMED PB 1 TO UNLOAD

UNIVERSITY OF CALIFORNIA LICK OBSERVATORY		SLITMASK PUSH BUTTON STATION DEIMOS SPECTROGRAPH	
DES'N BY: B. Alcott	ORIGIN DATE: 03-12-98	EL-3072	NUM. 1 OF 2
Last SN:	MODIFY DATE: 11-29-01		
PATH: DEIMOS\SLITMASKPB		REV. A	



UNIVERSITY OF CALIFORNIA
LICK OBSERVATORY

SLITMASK PUSH BUTTON STATION
DEIMOS SPECTROGRAPH

REVISION

05-11-98 CORRECTED SLIT MASK BIT NUMBERS
 01-03-01 SLIMPLIFIED CIRCUIT TO A SINGLE PUSHBUTTON TO MOVE CASSETTE TO LOAD POSITION
 07-13-01 ADDED WIRE COLORS
 11-19-01 CORRECTED SIGNAL NAMES TO MAKE CONSISTENT WITH OTHER DRAWINGS

DES'N BY: B. Alcott

ORIGIN DATE: 03-12-98

DWG. NO. NUM. 2 OF 2

Last SN:

MODIFY DATE: 11-19-01

PATH: DEIMOS\SLITMASKPB

REV. A

EL-3072