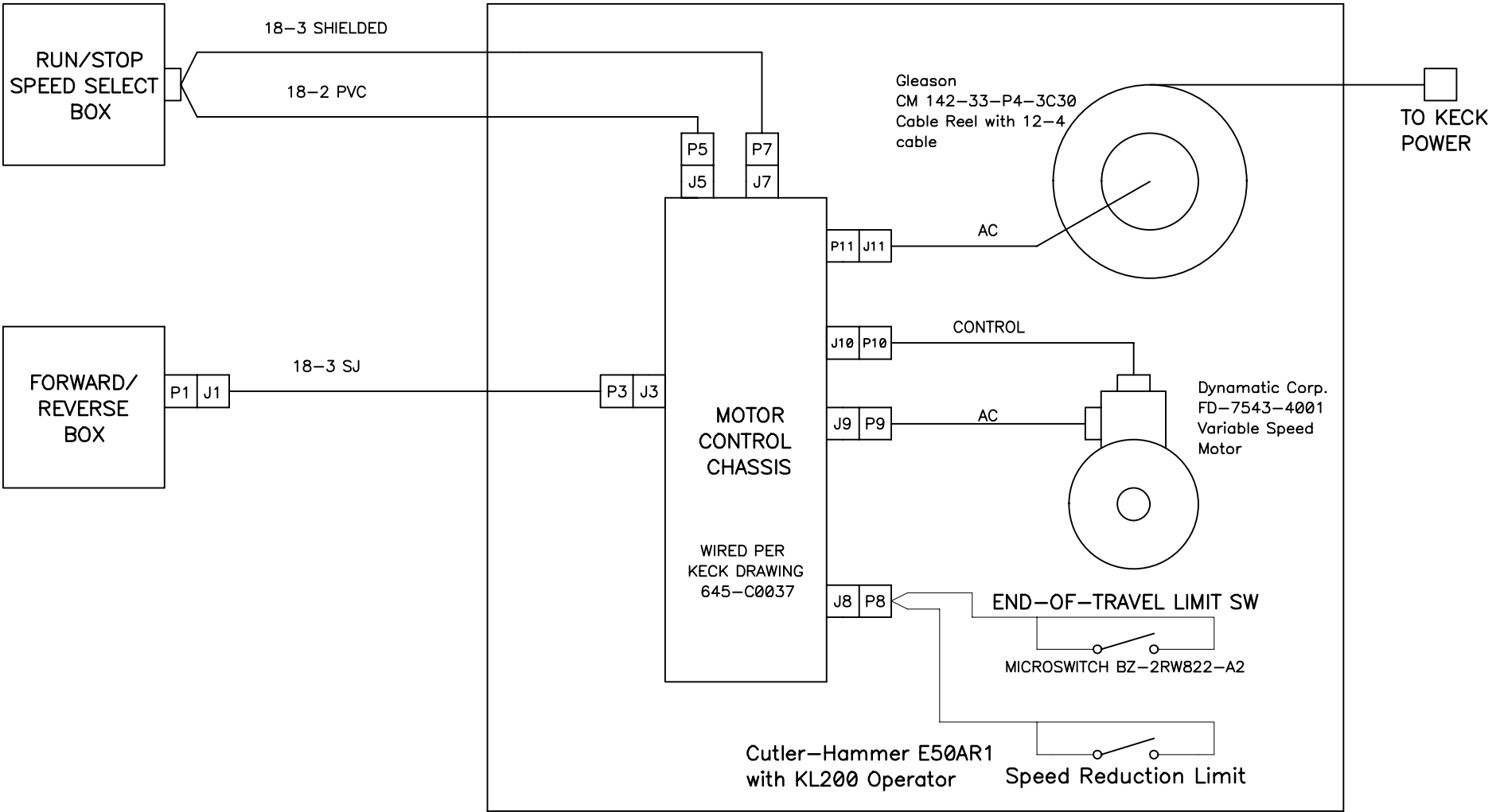
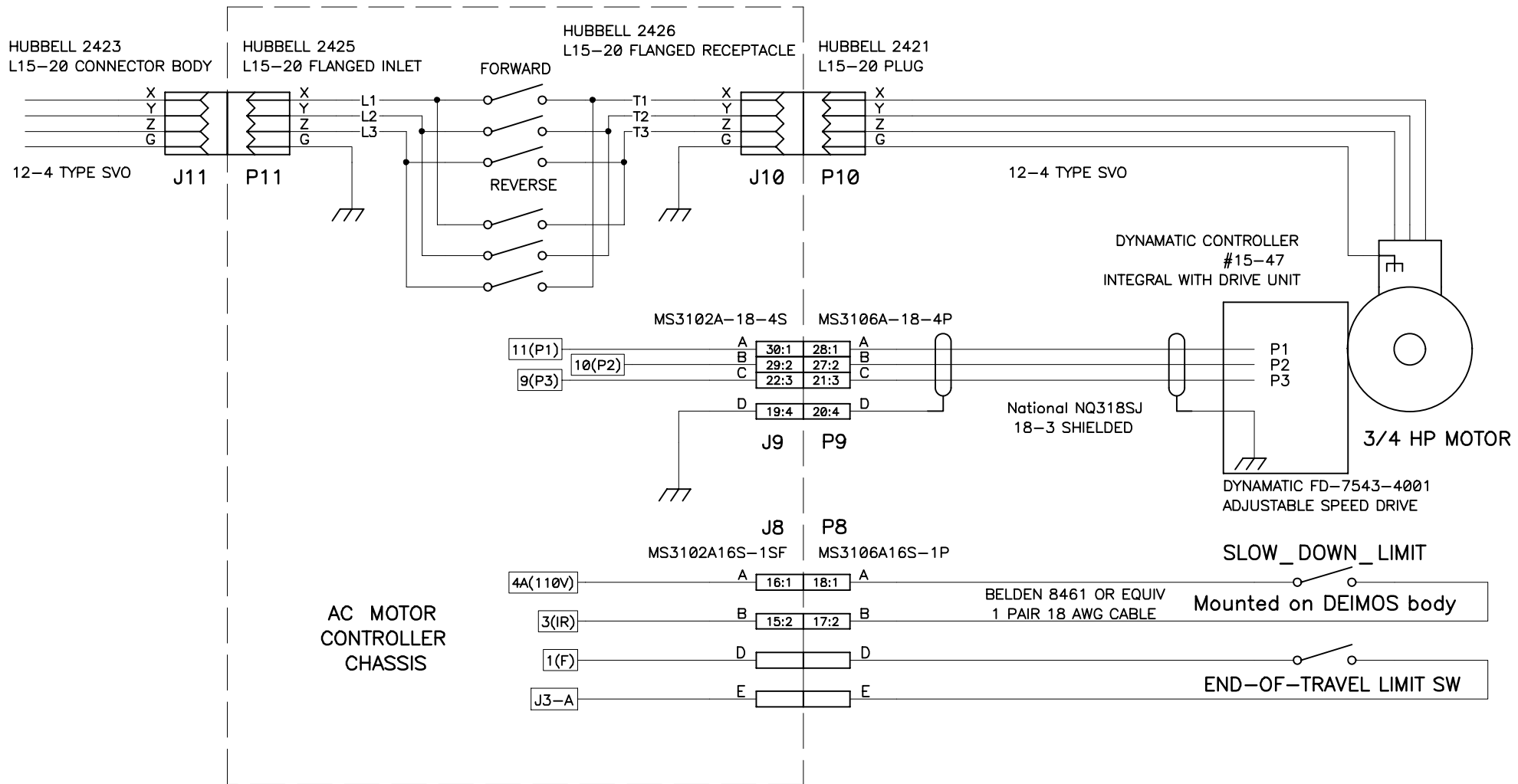


DEIMOS CHASSIS



UNIVERSITY OF CALIFORNIA LICK OBSERVATORY		DEIMOS SHUTTLE DRIVE SYSTEM	
		DES'N BY: L. Bresee	ORIGIN DATE: 09-30-97
REVISION		DRAWN BY:	MODIFY DATE: 11-27-01
08-29-00 ADDED CONNECTOR DESIGNATIONS 11-27-01 REMOVED P/J 2, 4 & 6. ADDED END-OF-TRAVEL SWITCH		PATH: DEIMOS\Shuttle	REV. A
		DWG. NO.	NUM. 1 OF 3
		EL-3123-1W	



UNIVERSITY OF CALIFORNIA  
LICK OBSERVATORY

DEIMOS SHUTTLE DRIVE  
SYSTEM

REVISION

08-29-00 ADDED CONNECTOR DESIGNATIONS  
11-27-01 CHANGED J8 TO A 7 PIN AND ADDED END-OF-TRAVEL LIMIT SWITCH

DES'N BY: L. Bresee

ORIGIN DATE: 09-30-97

DWG. NO.

NUM. 2 OF 3

DRAWN BY:

MODIFY DATE: 11-27-01

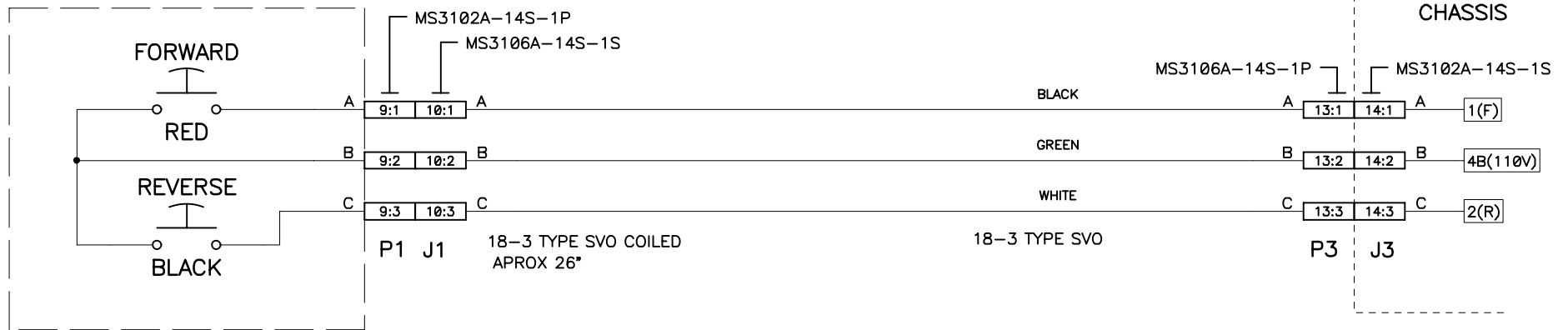
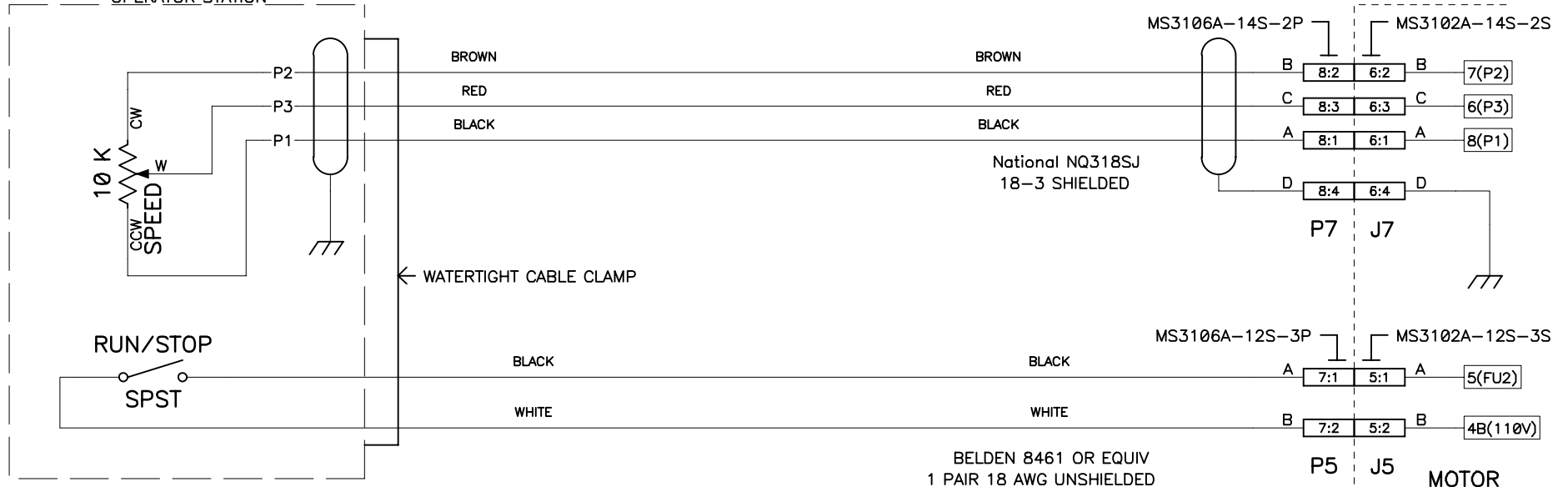
PATH: DEIMOS\Shuttle

REV. A

EL-3123-1W

# RUN/STOP – SPEED CONTROL BOX

DYNAMATIC CORP. 28-381-010  
OPERATOR STATION



# FORWARD/REVERSE CONTROL BOX

ALLEN-BRADLEY 800H-2HB4RL  
PUSH BUTTON STATION

UNIVERSITY OF CALIFORNIA  
LICK OBSERVATORY

DEIMOS SHUTTLE DRIVE  
SYSTEM

## REVISION

08-29-00 ADDED CONNECTOR DESIGNATIONS

DES'N BY: L. Bresee

ORIGIN DATE: 09-30-97

DWG. NO.

NUM. 3 OF 3

DRAWN BY:

MODIFY DATE: 11-27-01

PATH: DEIMOS\Shuttle

REV. A

EL-3123-1W