

**UNIVERSITY OF CALIFORNIA
LICK OBSERVATORY**

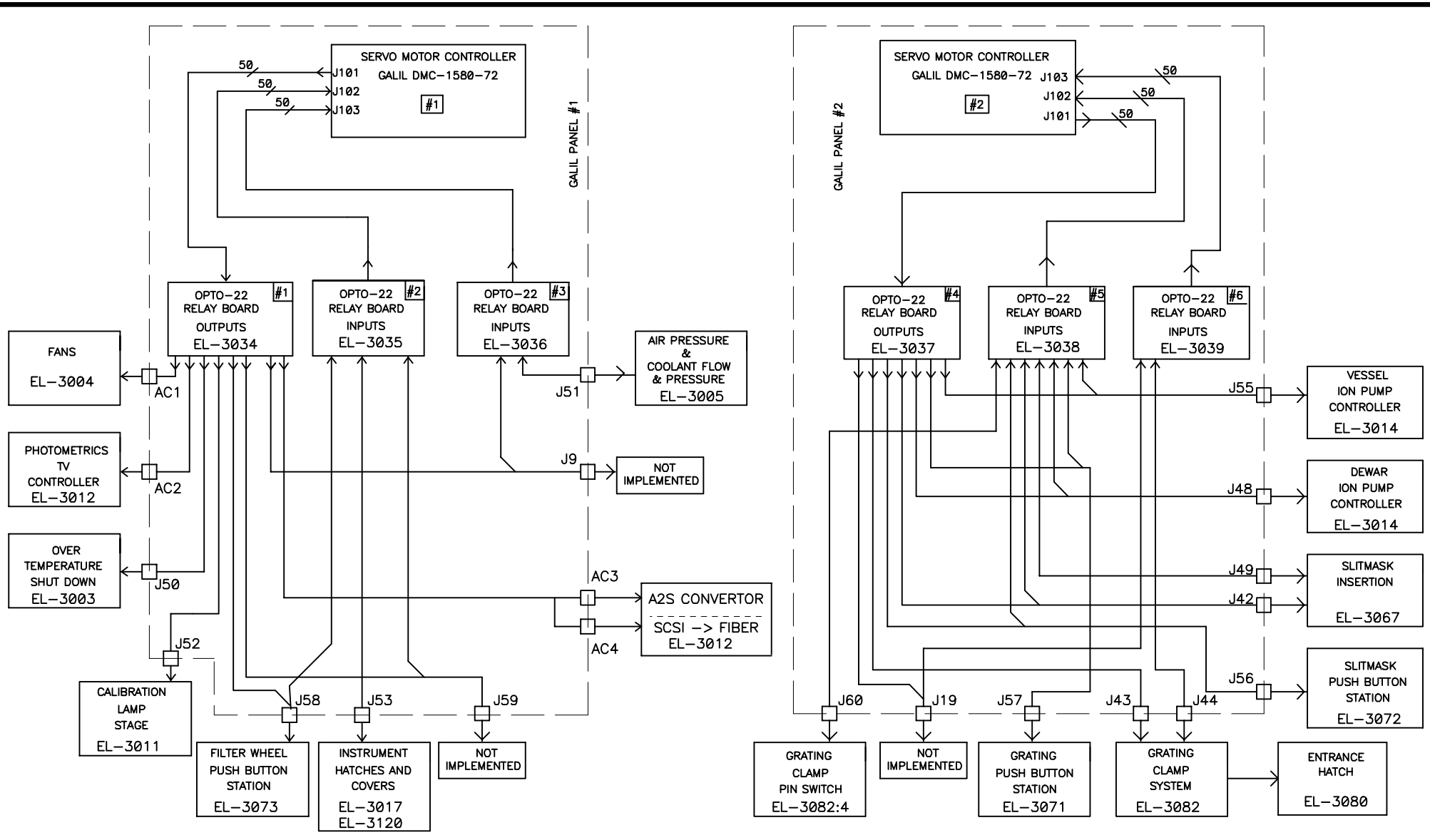
**SERVO STAGE CONTROL
OVERALL BLOCK DIAGRAM
DEIMOS SPECTROGRAPH**

REVISION

11-17-00	ADDED SCSI->FIBER AND A2S CONVERTERS (SHEET 2)
12-22-00	ADDED POTTER & BRUMFIELD TIME-ON RELAY
01-16-01	MOVED SHEETS 3-5 TO VLTSERVO DRAWING AND ADDED SHEET 3
06-08-01	CHANGED GRATING TILT #1 LABEL TO TILT #5
07-13-01	CHANGED 'DOORS AND HATCHES' TO 'HATCHES AND COVERS'
02-25-02	REMOVED UN-IMPLEMENTED BLOCKS FROM DIAGRAM
05-09-02	REMOVED REFERENCE TO HANDHELD BARCODE SCANNER

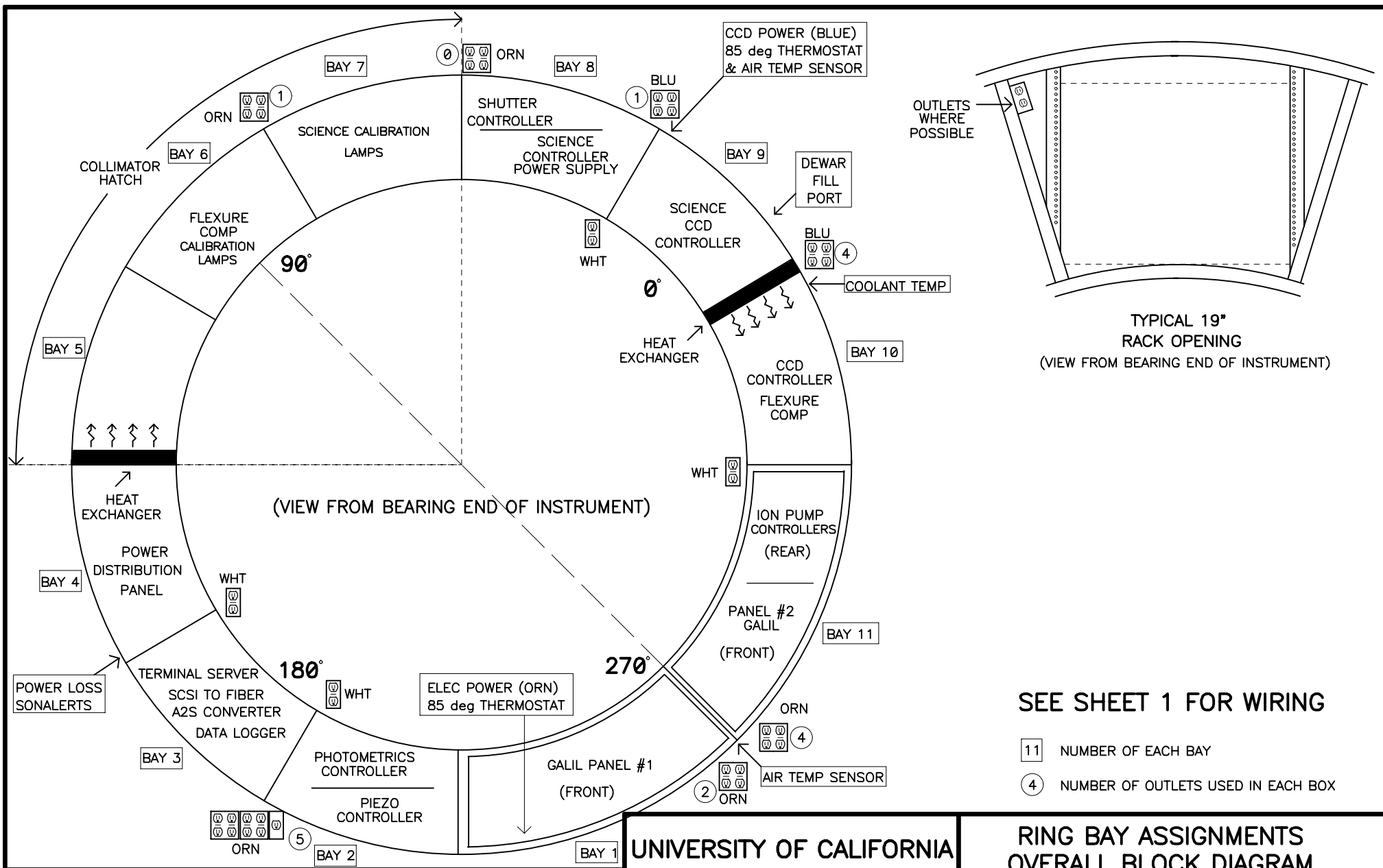
DES'N BY: B. Alcott	ORIGIN DATE: 05-15-95
DRAWN BY:	MODIFY DATE: 05-09-02
PATH: DEIMOS\SERVO	REV. A

DWG. NO.	NUM. 1 OF 3
EL-3001	



UNIVERSITY OF CALIFORNIA LICK OBSERVATORY		OPT0-22 I/O BLOCK DIAGRAM DEIMOS SPECTROGRAPH	
		DES'N BY: B. Alcott	ORIGIN DATE: 05-15-95
DRAWN BY:		MODIFY DATE: 05-09-02	DWG. NO. NUM. 2 OF 3
PATH: DEIMOS\SERVO		REV. A	EL-3001

REVISION	
03-23-00	CORRECTED ION PUMP CONTROLLER CONNECTOR NUMBERS (SWAPPED)
09-07-00	MOVED J49 TO CORRECT SLITMASK BLOCK
11-17-00	ADDED SCSI->FIBER AND A2S CONVERTERS
06-08-01	MOVED HATCH STAGE FROM CONTROLLER #1 TO CONTROLLER #2
07-13-01	CHANGED 'DOORS AND HATCHES' TO 'HATCHES AND COVERS'
02-25-02	REMOVED UN-IMPLEMENTED BLOCKS FROM DIAGRAM
05-09-02	ADDED GRATING CLAMP SWITCH INPUT



SEE SHEET 1 FOR WIRING

- 11 NUMBER OF EACH BAY
- 4 NUMBER OF OUTLETS USED IN EACH BOX

UNIVERSITY OF CALIFORNIA
LICK OBSERVATORY

RING BAY ASSIGNMENTS
OVERALL BLOCK DIAGRAM
DEIMOS SPECTROGRAPH

REVISION	
04-24-00	ADDED THIS SHEET
05-24-00	ADDED VIEW POINTS FOR DRAWINGS AND CHANGED FROM BEAM 1 TO SIDE A AND BEAM 2 TO SIDE B
08-24-00	ADDED OUTLETS & CHANGED BAY LABELS & DEG ROTATION to
11-17-00	CORRECTED EQUIPMENT LAYOUT WITHIN RING
09-10-01	CORRECTED RING ORIENTATION
10-30-01	ADDED OUTLET & BAY LABELS to

DES'N BY: B. Alcott	ORIGIN DATE: 05-15-95	DWG. NO. NUM. 3 OF 3
DRAWN BY:	MODIFY DATE: 10-30-01	
PATH: DEIMOS\SERVO	Copied from EL-3002:4	REV. A

EL-3001