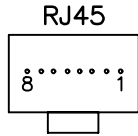
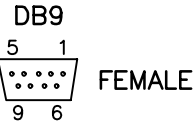


MAIN PORT (IN)



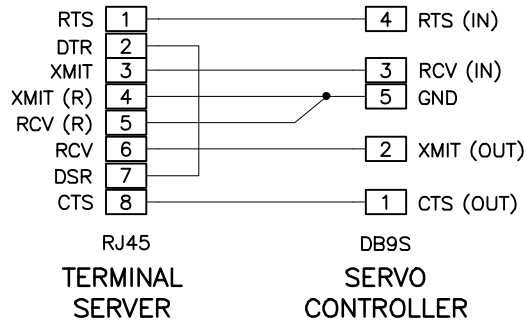
TERMINAL SERVER
PIN ASSIGNMENTS

PIN	SIGNAL	DIRECTION
1	RTS	OUT
2	DTR	OUT
3	TX+	OUT
4	TX-	OUT
5	RX-	IN
6	RX+	IN
7	DSR	IN
8	CTS	IN



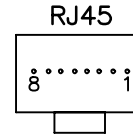
SERVO CONTROLLER
PIN ASSIGNMENTS

PIN	SIGNAL	DIRECTION
1	CTS	OUT
2	TRANSMIT	OUT
3	RECEIVE	IN
4	RTS	IN
5	GND	
6	CTS	OUT
7	RTS	IN
8	CTS	OUT
9	-	



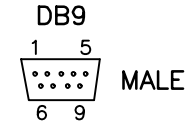
SERIAL CABLE TO SERVO CONTROLLERS

AUX PORT (OUT)



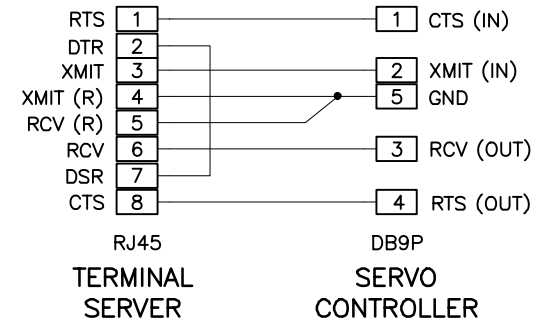
TERMINAL SERVER
PIN ASSIGNMENTS

PIN	SIGNAL	DIRECTION
1	RTS	OUT
2	DTR	OUT
3	TX+	OUT
4	TX-	OUT
5	RX-	IN
6	RX+	IN
7	DSR	IN
8	CTS	IN



SERVO CONTROLLER
PIN ASSIGNMENTS

PIN	SIGNAL	DIRECTION
1	CTS	IN
2	TRANSMIT	IN
3	RECEIVE	OUT
4	RTS	OUT
5	GND	
6	CTS	IN
7	RTS	OUT
8	CTS	IN
9	-	



SERIAL CABLE TO SERVO CONTROLLERS

REVISION

10-26-98 CHANGED FROM EL-3007 TO EL-1265 AND MOVED TO MULTIPURPOSE
 10-24-00 CHANGED PIN NUMBERING ON FEMALE DB-9 CONNECTOR
 02-08-02 ADDED SECOND SHEET WITH UPS CONNECTIONS

UNIVERSITY OF CALIFORNIA
 LICK OBSERVATORY

SERIAL CABLE WIRING
 MULTIPURPOSE

DES'N BY: B. Alcott

ORIGIN DATE: 04-17-97

DWG. NO.

NUM. 1 OF 2

DRAWN BY:

MODIFY DATE: 02-08-02

PATH: MULTIPURPOSE\EL-1265\SERCABLE

REV. A

EL-1265

UPS NULL MODEM SERIAL ADAPTER CONNECTOR

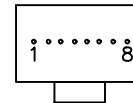
TERMINAL SERVER PIN ASSIGNMENTS

PIN	SIGNAL	DIRECTION
1	RTS	OUT
2	DTR	OUT
3	TX+	OUT
4	TX-	OUT
5	RX-	IN
6	RX+	IN
7	DSR	IN
8	CTS	IN

TRIPPLITE PINS

PIN	SIGNAL	DIRECTION
1		
2	TRANSMIT	OUT
3	RECEIVE	IN
4		
5	GND	
6		
7	RTS	IN
8	CTS	OUT
9	-	

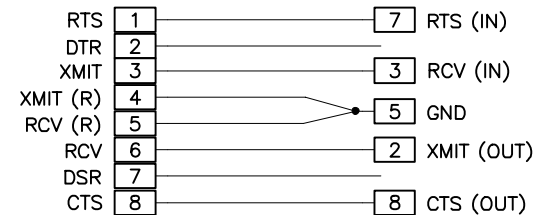
RJ45



DB9



MALE



RJ45

LANTRONIX
TERMINAL SERVER

DB9M

TRIPPLITE
UPS

TRIPPLITE UPS NULL MODEM
SERIAL PORT ADAPTER

**UNIVERSITY OF CALIFORNIA
LICK OBSERVATORY**

**SERIAL CABLE WIRING
MULTIPURPOSE**

REVISION

DES'N BY: B. Alcott

ORIGIN DATE: 04-17-97

DWG. NO.

NUM. 2 OF 2

DRAWN BY:

MODIFY DATE: 02-08-02

PATH: MULTIPURPOSE\EL-1265\SERCABLE

REV. A

EL-1265