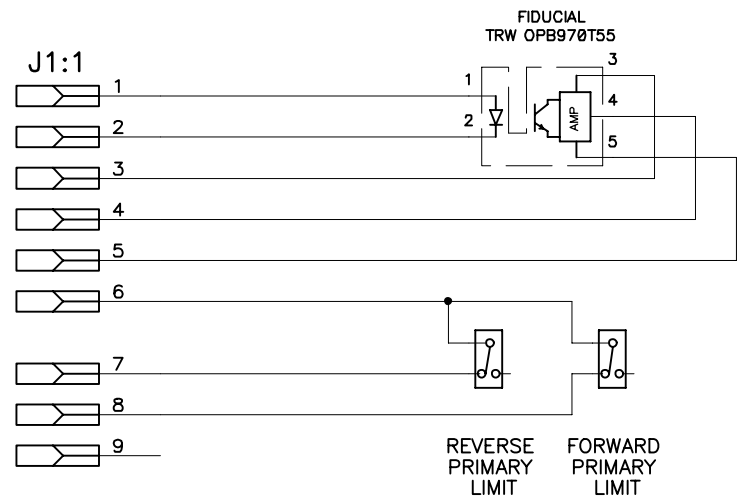


TO USE THIS TEST CONNECTOR, REMOVE JB2 FROM THE STAGE INTERCONNECT BOX AND ATTACH THIS TEST CABLE. MONITOR THE STAGE STATUS USING THE TS_n GALIL COMMAND. THE VALUE SHOULD CHANGE BY 4 UNITS WHEN THE REVERSE SWITCH IS ACTIVATED, AND BY 8 WHEN THE FORWARD SWITCH IS ACTIVATED. NEXT, NOTE THE VALUE RETURNED BY TS_n AND THEN TURN ON THE FIDUCIAL ENABLE OUTPUT FOR THE STAGE. THE TN_n VALUE SHOULD CHANGE BY 2 UNITS. BLOCK THE SLIT ON THE OPTICAL SWITCH AND RE-READ TS_n. IT SHOULD GO BACK TO THE PREVIOUSLY NOTED VALUE.

NOTE: THE 'n' ABOVE CORRESPONDS TO THE STAGE CONNECTED TO: A - H



UNIVERSITY OF CALIFORNIA
LICK OBSERVATORY

GALIL FIDUCIAL AND
SECONDARY LIMIT
TEST CONNECTOR

REVISION

DES'N BY: B. Alcott

ORIGIN DATE: 12-11-01

DWG. NO. NUM. 1 OF 1

Last SN:

MODIFY DATE:

PATH: MULTIPURPOSE\EL-1297\FID_PRI_LIM_TEST

REV. A

EL-1297