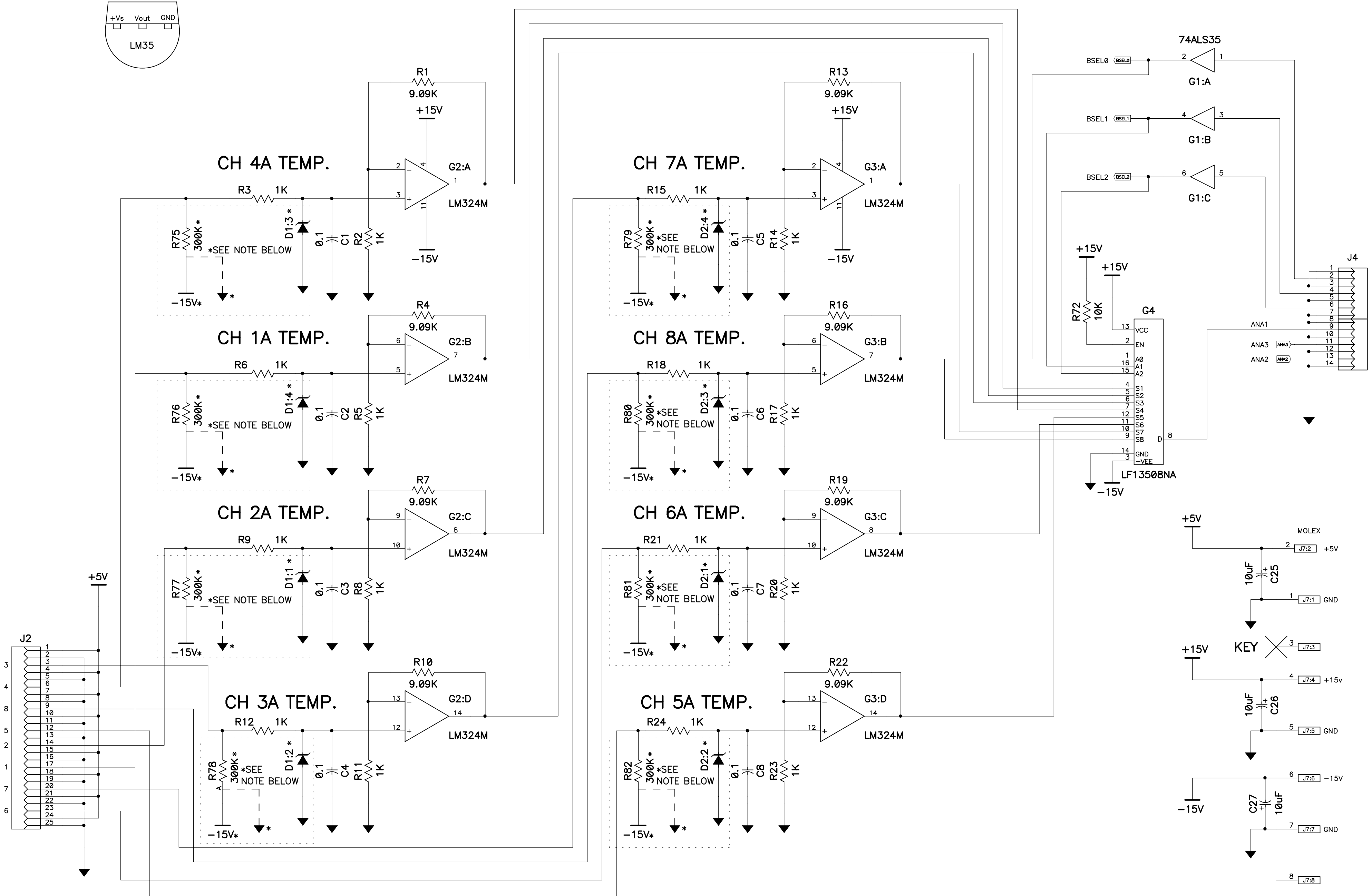
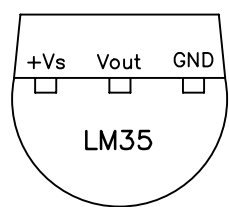


BOTTOM VIEW



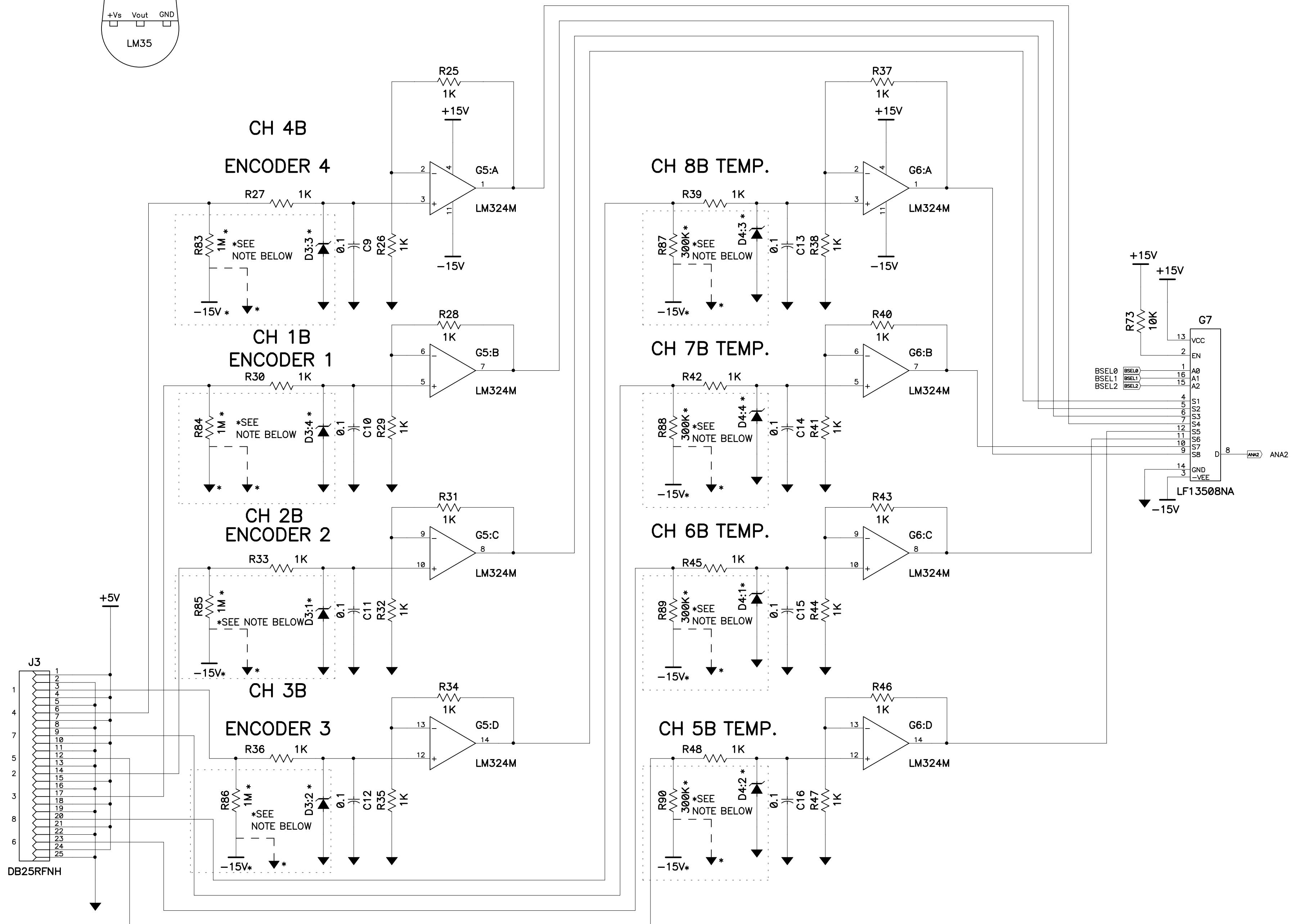
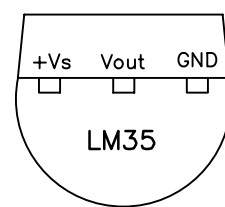
*NOTE: THE PULLDOWN RESISTOR VALUE AND CONNECTION, AND THE USE OF TRANZORBS DEPEND ON THE INTENDED USE. FOR TEMPERATURES, THE RESISTOR IS 300K AND IS CONNECTED TO THE MINUS FIFTEEN VOLT SUPPLY AND THE TRANZORB IS REMOVED. FOR ENCODER INPUTS OR VOLTAGE MONITORING THE RESISTOR IS 1M AND CONNECTED TO GROUND AND THE TRANZORB IS LEFT IN THE CIRCUIT. THIS MUST BE DONE IN GROUPS OF FOUR BECAUSE THE TRANZORB IS PACKAGED FOUR PER IC.

REVISION

9-30-97 ADDED 1M PULL-DOWN RESISTORS TO INPUTS & CONNECTED J3-25 TO GROUND
 12-10-97 CHANGED ANA1 LABEL AND PORT TO ANA2, CHANGED ANA2 LABEL AND PORT TO ANA3
 7-26-99 REMOVED TRANZORBS
 8-16-99 MADE CHANGES TO ALLOW EITHER BIPOLAR TEMPERATURE OR POSITIVE LEVEL INPUTS

UNIVERSITY OF CALIFORNIA LICK OBSERVATORY		24 ANALOG INPUT BOARD	
DES'N BY: B. Alcott	ORIGIN DATE: 5-23-97	DWG. NO.	NUM. 1 OF 3
DRAWN BY:	MODIFY DATE: 8-16-99	EL-1230-2S	
PATH: MULTIPURPOSE\EL-1230\ANALOG24		REV.A	

BOTTOM VIEW

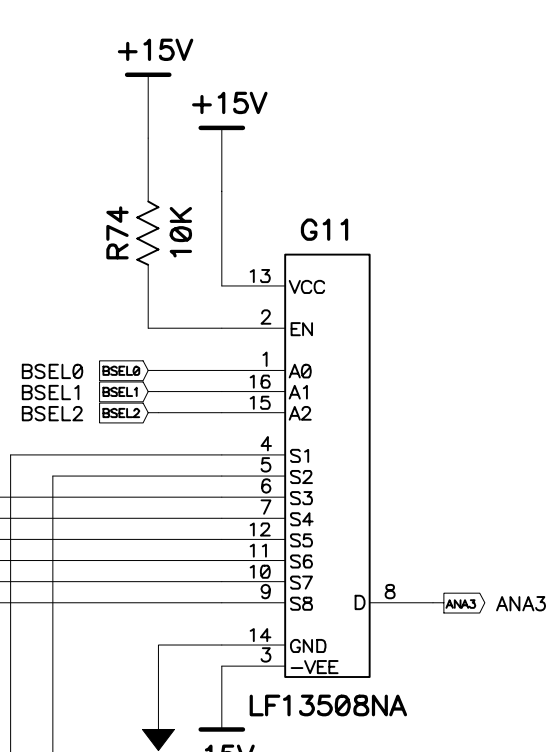
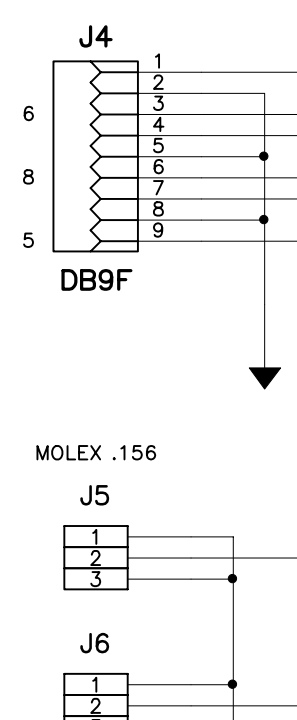
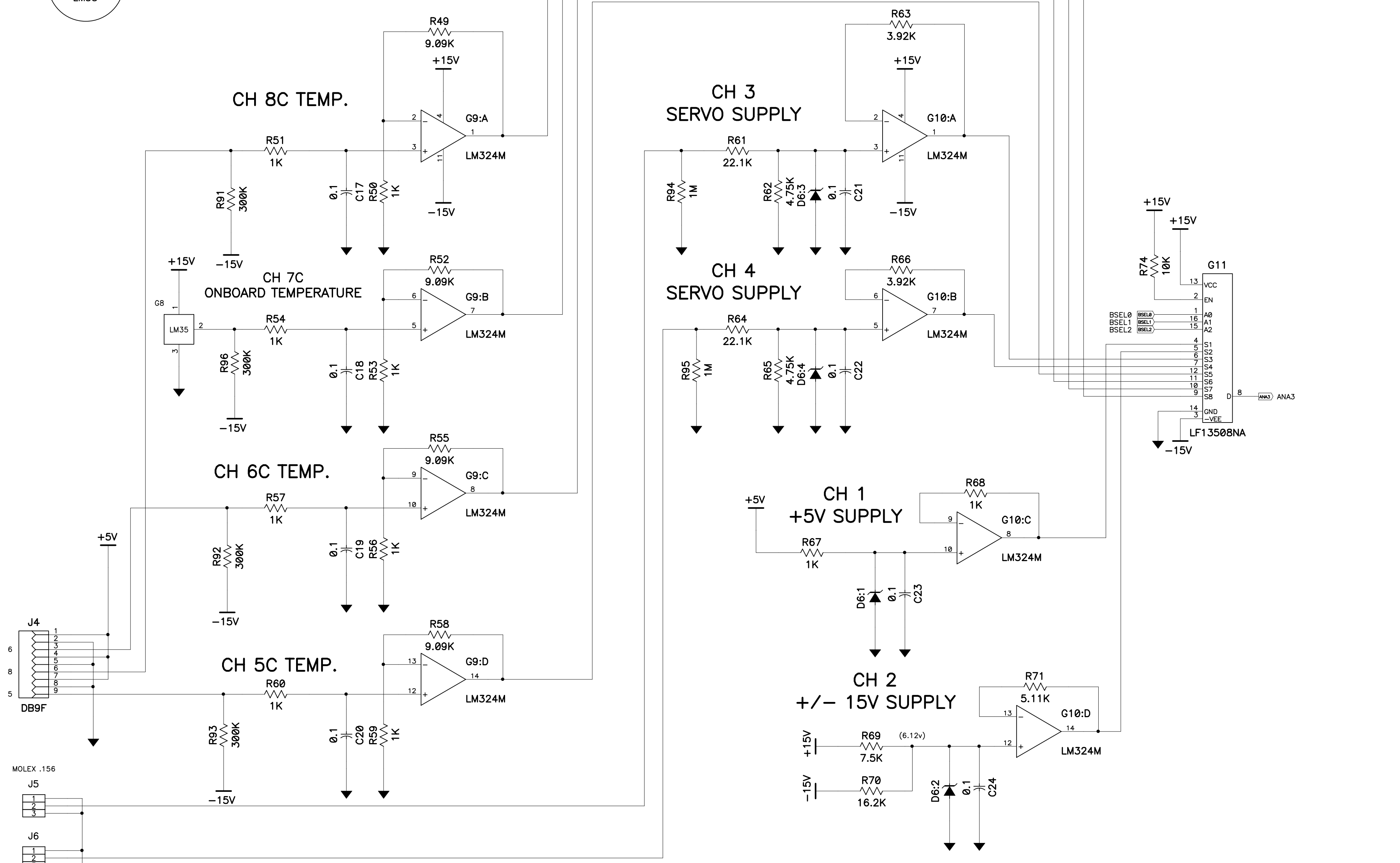
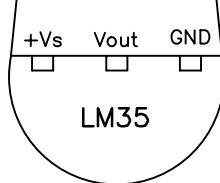


*NOTE: THE PULLDOWN RESISTOR VALUE AND CONNECTION, AND THE USE OF TRANZORBS DEPEND ON THE INTENDED USE. FOR TEMPERATURES, THE RESISTOR IS 300K AND IS CONNECTED TO THE MINUS FIFTEEN VOLT SUPPLY AND THE TRANSORB IS REMOVED. FOR ENCODER INPUTS OR VOLTAGE MONITORING THE RESISTOR IS 1M AND CONNECTED TO GROUND AND THE TRANZORB IS LEFT IN THE CIRCUIT. THIS MUST BE DONE IN GROUPS OF FOUR BECAUSE THE TRANSORB IS PACKAGED FOUR PER IC.

REVISION	
9-30-97	ADDED 1M PULL-DOWN RESISTORS TO INPUTS & CONNECTED J3-25 TO GROUND
12-10-97	CHANGED ANA1 LABEL AND PORT TO ANA2
7-26-99	REMOVED TRANSORBS
8-16-99	MADE CHANGES TO ALLOW EITHER BIPOLAR TEMPERATURE OR POSITIVE LEVEL INPUTS
10-08-99	CHANGED FEEDBACK RESISTOR TO 1K ON CHANNELS 5 THROUGH 8

UNIVERSITY OF CALIFORNIA LICK OBSERVATORY		24 ANALOG INPUT BOARD	
DES'N BY: B. Alcott	ORIGIN DATE: 5-23-97	DWG. NO.	NUM. 2 OF 3
DRAWN BY:	MODIFY DATE: 10-08-99	EL-1230-2S	
PATH: MULTIPURPOSE\EL-1230\ANALOG24		REV.A	

BOTTOM VIEW



REVISION
9-30-97 ADDED 1M PULL-DOWN RESISTORS TO INPUTS & CONNECTED J3-25 TO GROUND
12-10-97 CHANGED ANA2 LABEL AND PORT TO ANA3
7-26-99 REMOVED TRANSORBS

UNIVERSITY OF CALIFORNIA LICK OBSERVATORY		24 ANALOG INPUT BOARD	
DES'N BY: B. Alcott	ORIGIN DATE: 5-23-97	DWG. NO.	NUM. 3 OF 3
DRAWN BY:	MODIFY DATE: 07-26-99	EL-1230-2S	
PATH: MULTIPURPOSE\EL-1230\ANALOG24		REV.A	