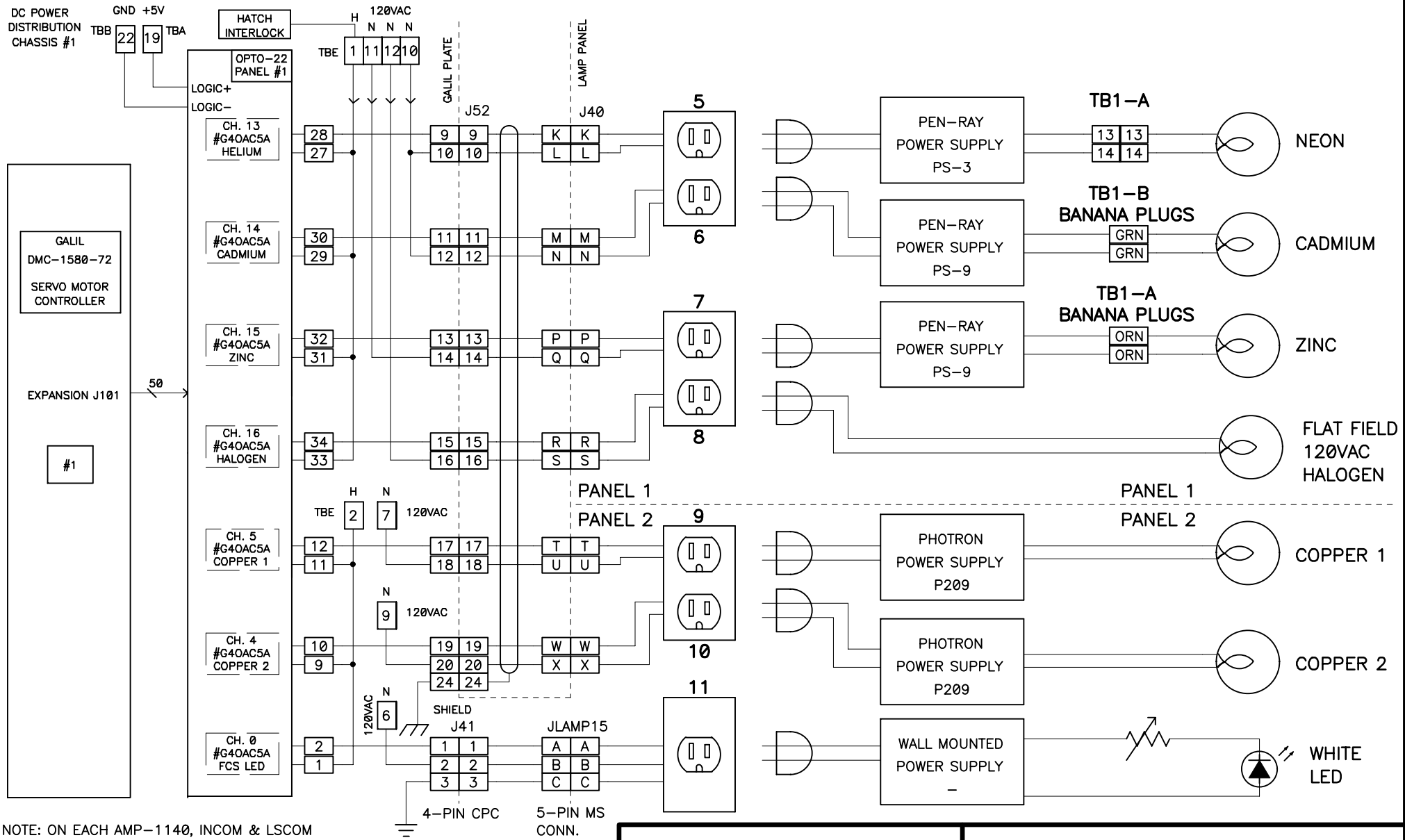


CALIBRATION LAMP WIRING DEIMOS SPECTROGRAPH

- 08-21-01 ADDED CONNECTORS FOR WHITE LED ON PAGE 2
- 09-17-01 ADDED LAMP LOCKOUT SIGNAL ON PAGE 4
- 11-16-01 UPDATED TBE CONNECTIONS
- 11-19-01 ADDED FUSE AND AC5 TO SHEET 3
- 01-11-02 CHANGED QUARTZ LABEL TO FLAT FIELD AND REMOVE QUARTZ POWER SUPPLY
- 02-25-02 ADDED TB1-A AND TB1-B LABELS AND CORRECTED PIN NUMBERS
- 05-23-02 ADDED HATCH INTERLOCK BLOCK AT TOP OF DRAWING (SHEET 2)

05-23-02

DEIMOS\LAMPS



NOTE: ON EACH AMP-1140, INCOM & LSCOM ARE JUMPERED TO +5V.

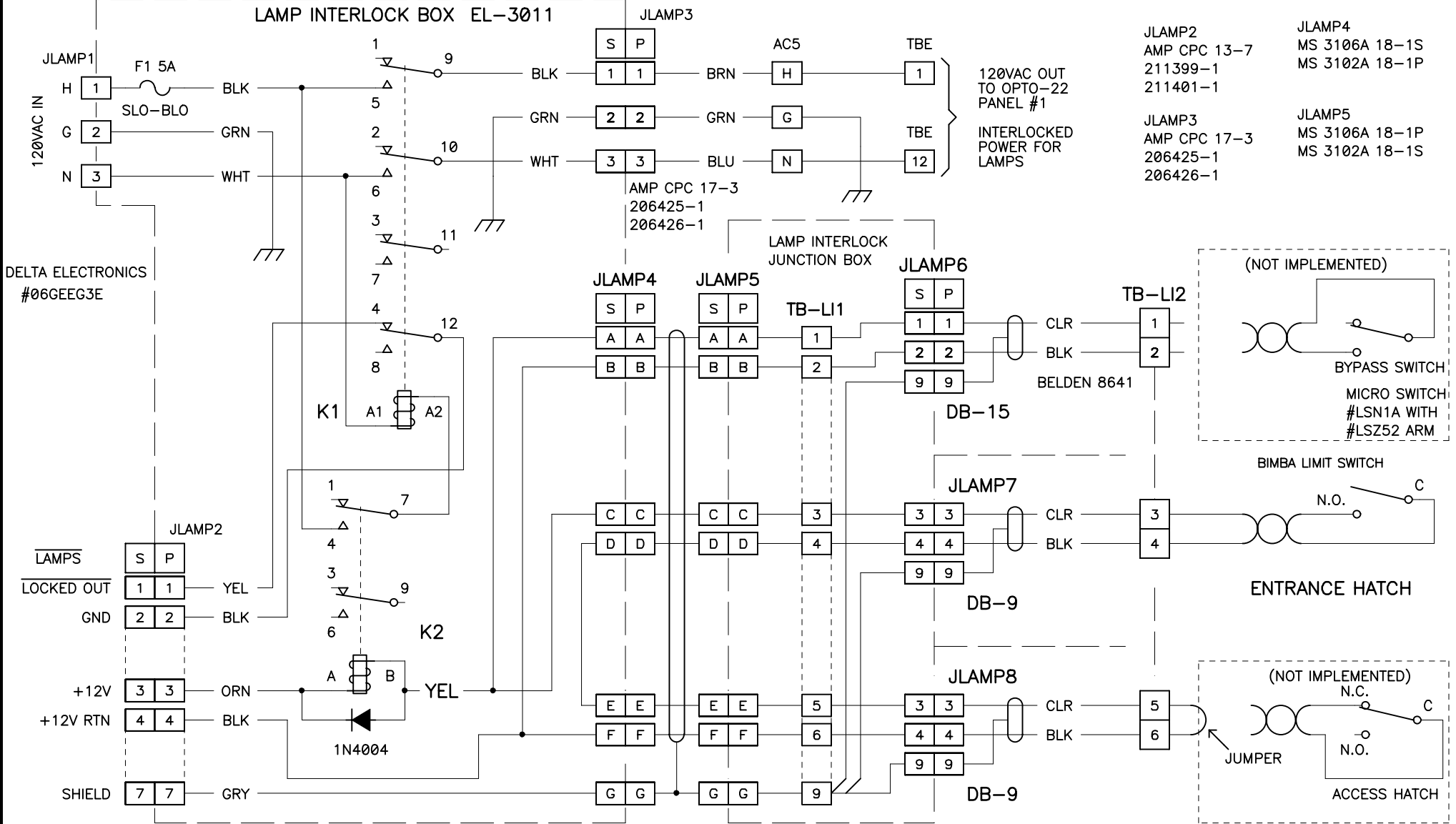
NOTE: WIRE SHIELDS TO CHASSIS GROUND POINT.

UNIVERSITY OF CALIFORNIA LICK OBSERVATORY		CALIBRATION LAMP WIRING DEIMOS SPECTROGRAPH	
DES'N BY: B. Alcott	ORIGIN DATE: 01-17-96	DWG. NO.	NUM. 2 OF 7
Last SN:	MODIFY DATE: 05-23-02	EL-3011	
PATH: DEIMOS\LAMPS			

REVISION

- 03-25-98 CHANGED CABLE TYPE
- 11-16-00 LAMP TYPES AND CONNECTIONS
- 08-21-01 ADDED CPC CONNECTOR FOR WHITE LED
- 11-16-01 UPDATED TBE CONNECTIONS
- 01-11-02 CHANGED QUARTZ LABEL TO FLAT FIELD AND REMOVE QUARTZ POWER SUPPLY
- 02-25-02 ADDED TB1-A AND GREEN AND ORANGE PLUG LABELS (01-17-02 kd)
- 05-23-02 ADDED HATCH INTERLOCK BLOCK AT TOP OF DRAWING & POT ON WHITE LED

LAMP INTERLOCK BOX EL-3011



K1: P&B PM-17AY-120
K2: P&B KUP11D55 12V

UNIVERSITY OF CALIFORNIA
LICK OBSERVATORY

LAMP INTERLOCK BOX
CALIBRATION LAMP WIRING
DEIMOS SPECTROGRAPH

REVISION

08-02-01 ADDED THIS SHEET
09-17-01 ADDED TERMINAL STRIP TB-LI2 - KD
11-19-01 ADDED FUSE AND CONNECTIONS TO AC5 AND TBE AT TOP OF DRAWING kd
05-23-02 ADDED JUMPER TO TB-LI2 PINS 5 AND 6

DES'N BY: B. Alcott

ORIGIN DATE: 01-17-96

DWG. NO. NUM. 3 OF 7

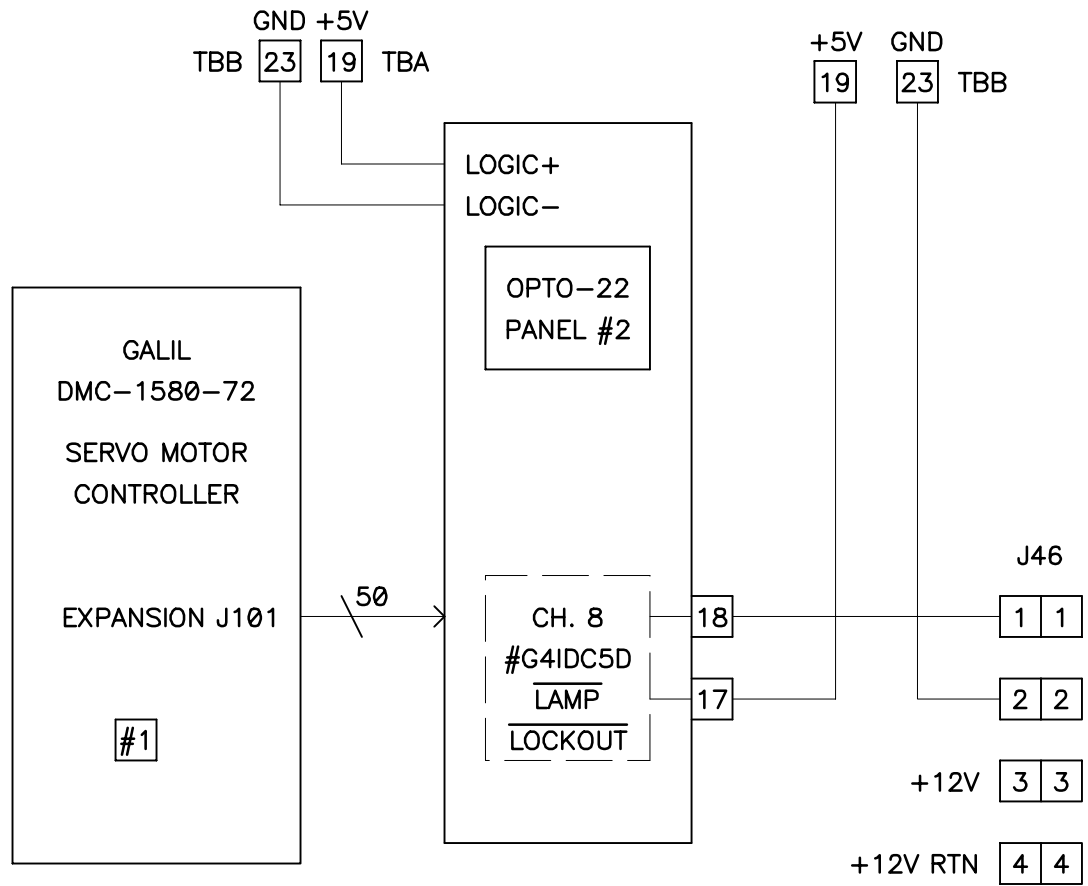
Last SN:

MODIFY DATE: 05-23-02

PATH: DEIMOS\LAMPS

REV. A

EL-3011



UNIVERSITY OF CALIFORNIA
LICK OBSERVATORY

LAMP INTERLOCK BOX
CALIBRATION LAMP WIRING
DEIMOS SPECTROGRAPH

REVISION

09-17-01 ADDED LAMP LOCKOUT

DES'N BY: B. Alcott

ORIGIN DATE: 01-17-96

DWG. NO. NUM. 4 OF 7

Last SN:

MODIFY DATE: 09-17-01

PATH: DEIMOS\LAMPS

REV. A

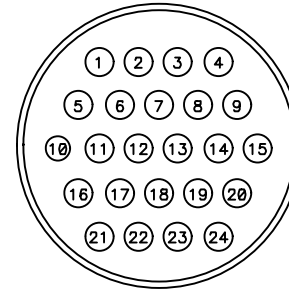
EL-3011

LAMP STAGE INTERCONNECT CABLE

CPC PIN	SIGNAL	MS PIN	COLOR		CPC PIN	SIGNAL	MS PIN	COLOR
1	LAMP1 - H	A	BRN		13	LAMP7 - H	P	VIO
2	LAMP1 - N	B	WHT		14	LAMP7 - N	Q	WHT
3	LAMP2 - H	C	RED		15	LAMP8 - H	R	GRY
4	LAMP2 - N	D	WHT		16	LAMP8 - N	S	WHT
5	LAMP3 - H	E	ORN		17	LAMP9 - H	T	BLK
6	LAMP3 - N	F	WHT		18	LAMP9 - N	U	RED
7	LAMP4 - H	G	YEL		19	LAMP10 - H	W	BLK
8	LAMP4 - N	H	WHT		20	LAMP10 - N	X	WHT
9	LAMP5 - H	K	GRN		21	LAMP11 - H	J	-
10	LAMP5 - N	L	WHT		22	LAMP11 - N	V	-
11	LAMP6 - H	M	BLU		23	CHASSIS GROUND	Y	ORN*
12	LAMP6 - N	N	WHT		24	SHIELDS	N/C	N/C

*ORN OF BLK/ORN PAIR

J52

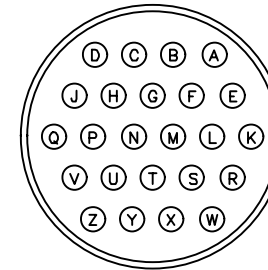


END VIEW OF PLUG
PIN MATING FACE
SOCKET MATING FACE IS MIRROR IMAGE

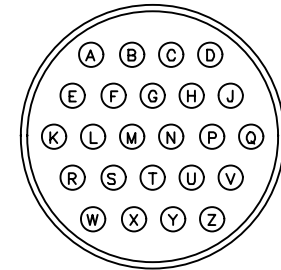
AMP CPC SERIES
SERIES 1
RECEPTACLE 206838-1
PLUG 206837-1
SHELL SIZE 23
ARRANGEMENT 23-24

J40

MS3102A24-28P
STD SEX MALE



MS3106A24-28S
STD SEX FEMALE



24 PIN MS CONN
(SOLDER CUP VIEW)

UNIVERSITY OF CALIFORNIA
LICK OBSERVATORY

CALIBRATION LAMP WIRING
DEIMOS SPECTROGRAPH

REVISION

11-27-00 ADDED THIS SHEET
08-17-01 ADDED LAMP11 CONECTIONS FOR FCS LED

DES'N BY: B. Alcott

ORIGIN DATE: 01-17-96

DWG. NO.

NUM. 5 OF 7

Last SN:

MODIFY DATE: 08-17-01

PATH: DEIMOS\LAMPS

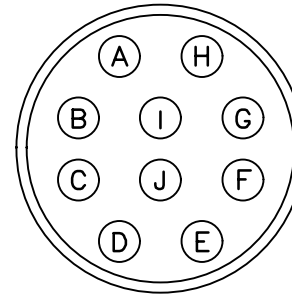
REV. A

EL-3011

LAMP STAGE INTERLOCK CABLE

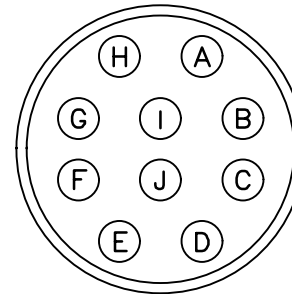
PIN	SIGNAL	COLOR
A	<u>BYPASS</u>	—
B	GND	—
C	<u>HATCH OPEN</u>	—
D	HATCH DAISY CHAIN	—
E	HATCH DAISY CHAIN	—
F	GND	—
G	SHIELD	—
H	AC H	—
I	AC G	—
J	AC N	—

JLAMP4



MS3102A18-1P

JLAMP5



MS3106A18-1S

END VIEW OF PLUG
PIN MATING FACE
SOCKET MATING FACE IS MIRROR IMAGE

UNIVERSITY OF CALIFORNIA
LICK OBSERVATORY

CALIBRATION LAMP WIRING
DEIMOS SPECTROGRAPH

REVISION

08-08-01 ADDED THIS SHEET

DES'N BY: B. Alcott

ORIGIN DATE: 01-17-96

DWG. NO.

NUM. 6 OF 7

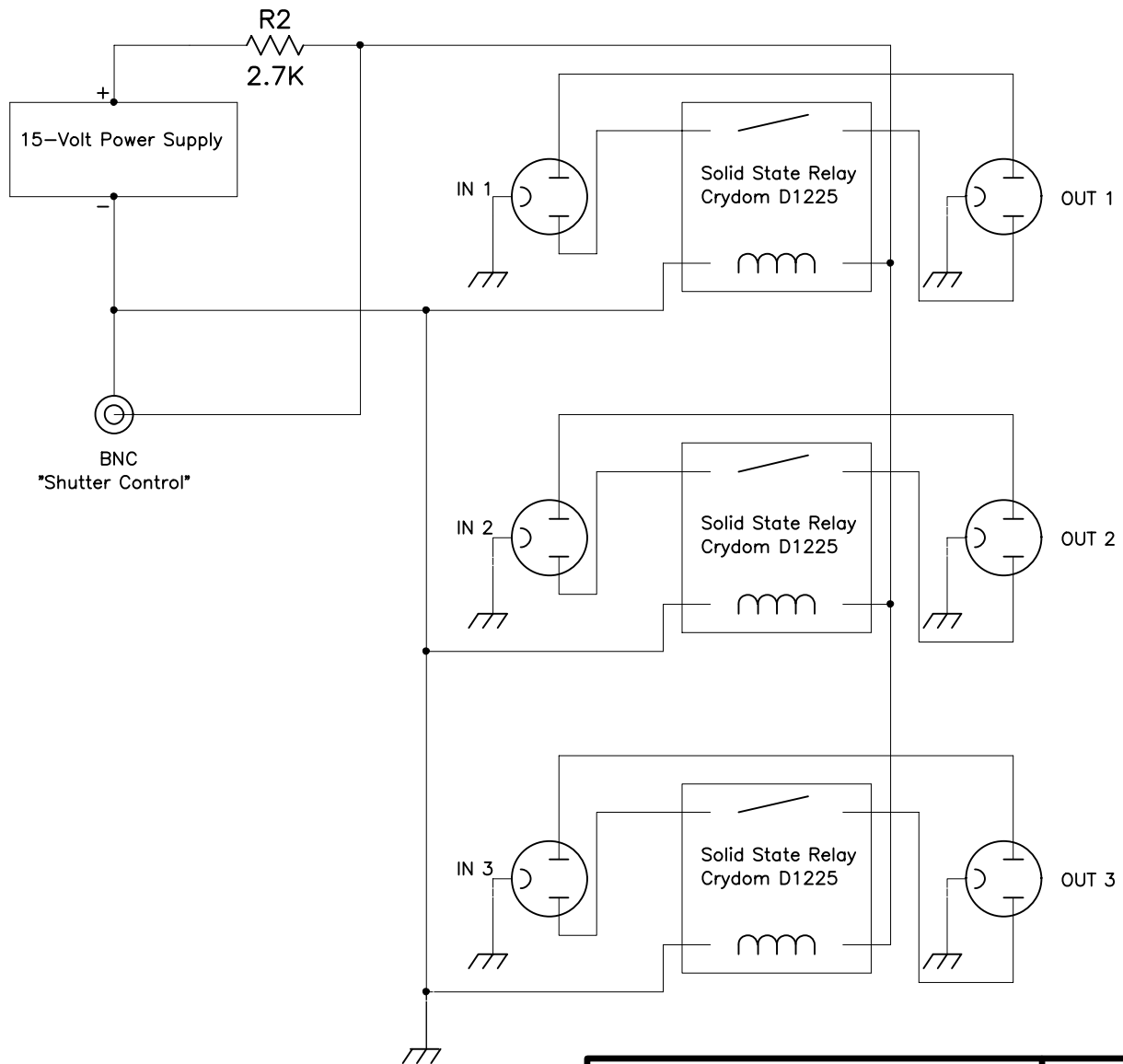
Last SN:

MODIFY DATE: 08-08-01

PATH: DEIMOS\LAMPS

REV. A

EL-3011



UNIVERSITY OF CALIFORNIA
LICK OBSERVATORY

DEIMOS Source Lamp
Modification

REVISION

DES'N BY: B. Alcott

ORIGIN DATE: 01-17-96

DWG. NO.

NUM. 7 OF 7

Last SN:

MODIFY DATE: 2-24-03 (K.D.)

PATH:

designs/deimos/lamps.sch

REV. A

EL-3011