

UNIVERSITY OF CALIFORNIA  
LICK OBSERVATORY

ION PUMP MONITOR WIRING  
DEIMOS SPECTROGRAPH

REVISION

12-12-96 MODIFIED FOR OPTO-22  
 11-11-97 MOVED FROM CRADLE TO ELECTRONICS RING  
 03-09-98 CORRECTED GALIL LABEL  
 03-25-98 CORRECTED CONNECTOR AND CABLE TYPE  
 02-23-00 ADDED SHEET TWO FOR VESSEL ION PUMP AND UPDATED PER ESI  
 03-10-00 CORRECTED PINS AT ANALOG MONITORING CARD  
 06-21-00 CORRECTED CONNECTOR NUMBER FROM J2 TO J3 ON ANALOG BOARD

DES'N BY: B. Alcott

ORIGIN DATE: 02-15-95

DWG. NO.

NUM. 1 OF 2

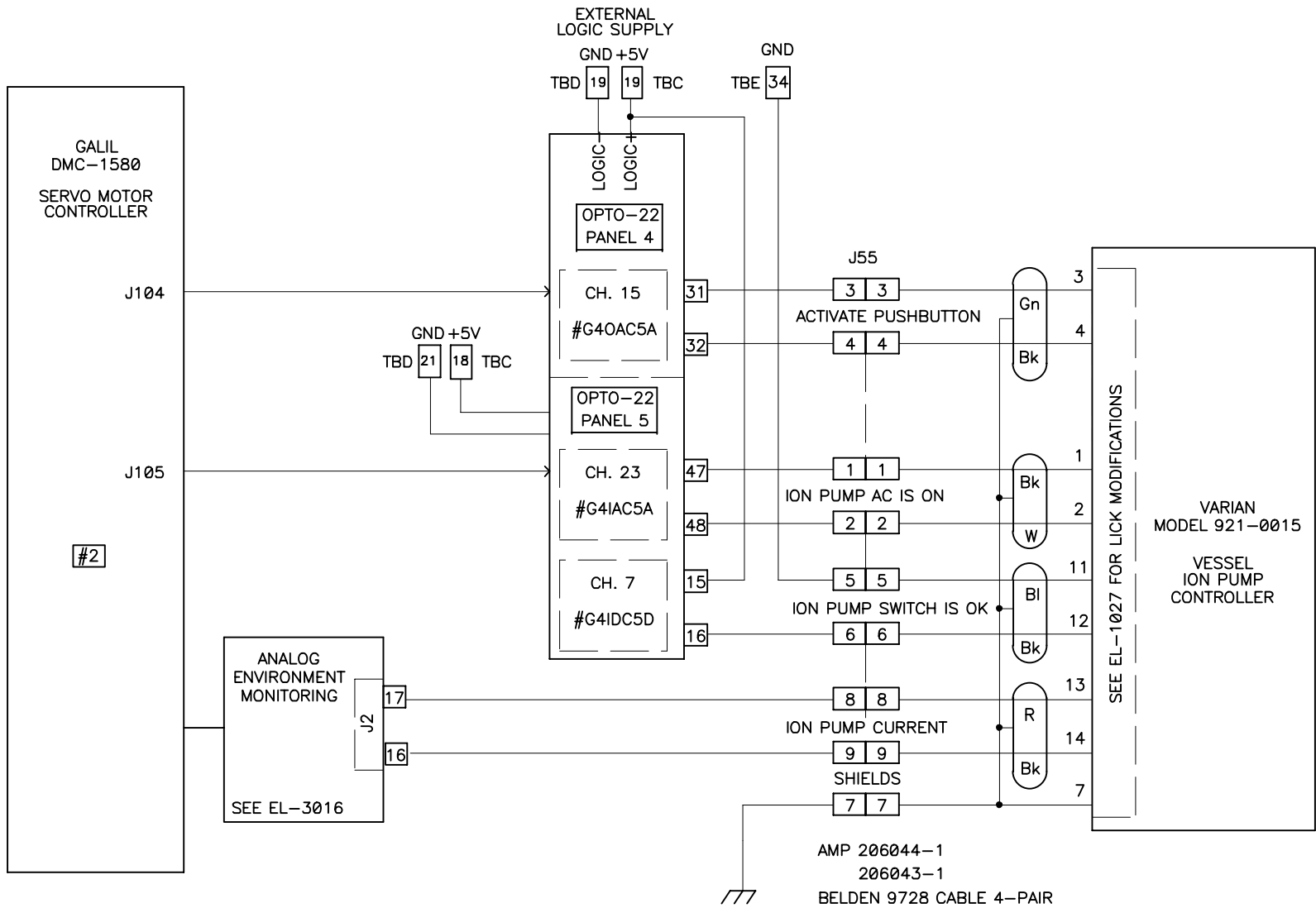
DRAWN BY:

MODIFY DATE: 06-21-00

PATH: DEIMOS\IONWIRE

REV. A

EL-3014



UNIVERSITY OF CALIFORNIA  
LICK OBSERVATORY

ION PUMP MONITOR WIRING  
DEIMOS SPECTROGRAPH

REVISION

02-23-00 ADDED SHEET TWO FOR VESSEL ION PUMP  
06-21-00 CORRECTED CONNECTOR NUMBER FROM J2 TO J3 ON ANALOG BOARD

DES'N BY: B. Alcott

ORIGIN DATE: 02-15-95

DWG. NO.

NUM. 2 OF 2

DRAWN BY:

MODIFY DATE: 06-21-00

PATH: DEIMOS\IONWIRE

REV. A

EL-3014

SEE EL-1027 FOR LICK MODIFICATIONS