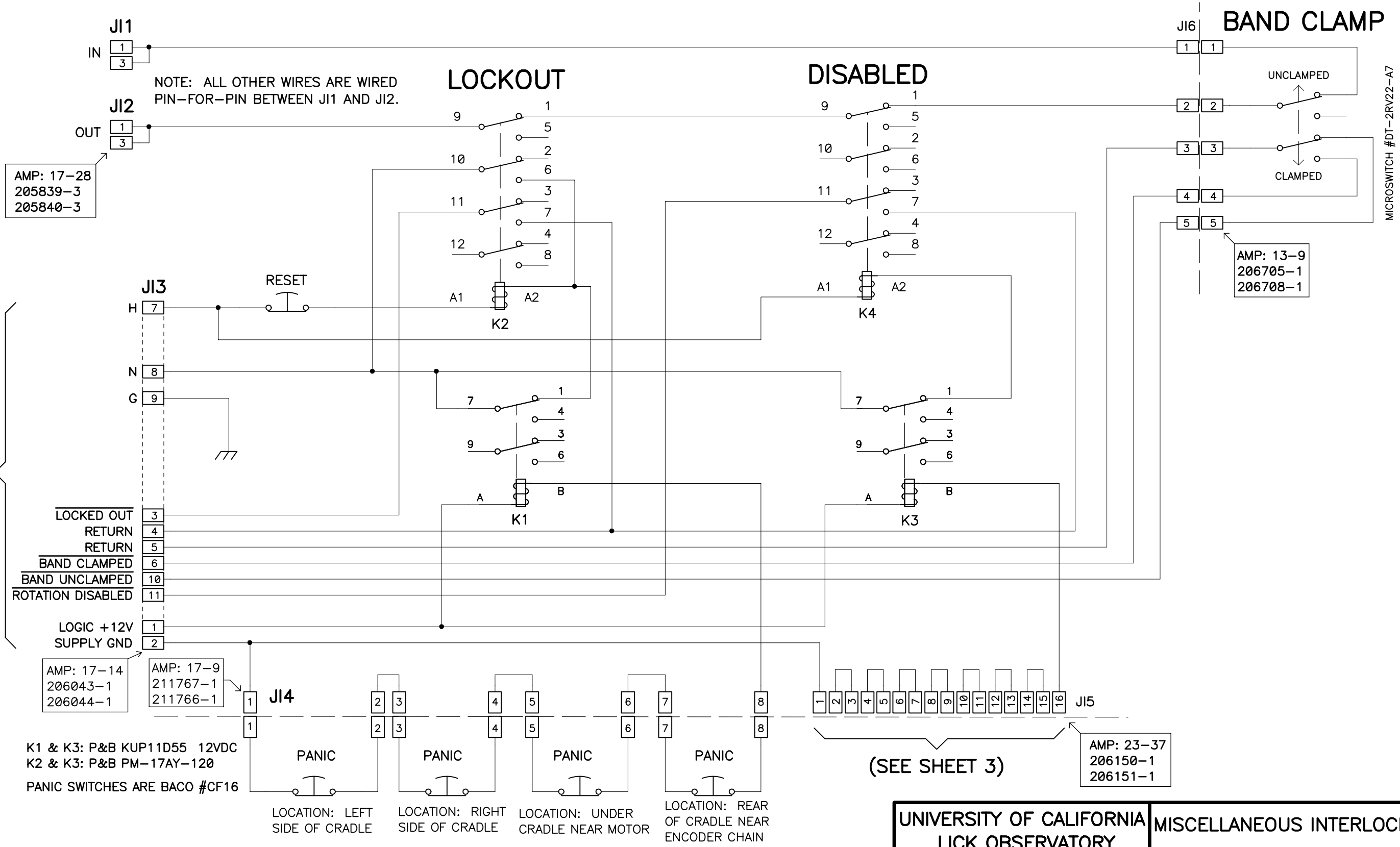


REVISION	
10-30-97	ADDED STAGE INTERCONNECT BOX
11-11-97	CHANGED STAGE DESIGNATION TO 'A'
03-20-00	INSERTED NEW SHEET 3. OLD SHEET 3 NOW SHEET 4
04-26-00	ENLARGED DRAWING
07-10-00	ADDED SECONDARY LIMIT BYPASS SWITCHES

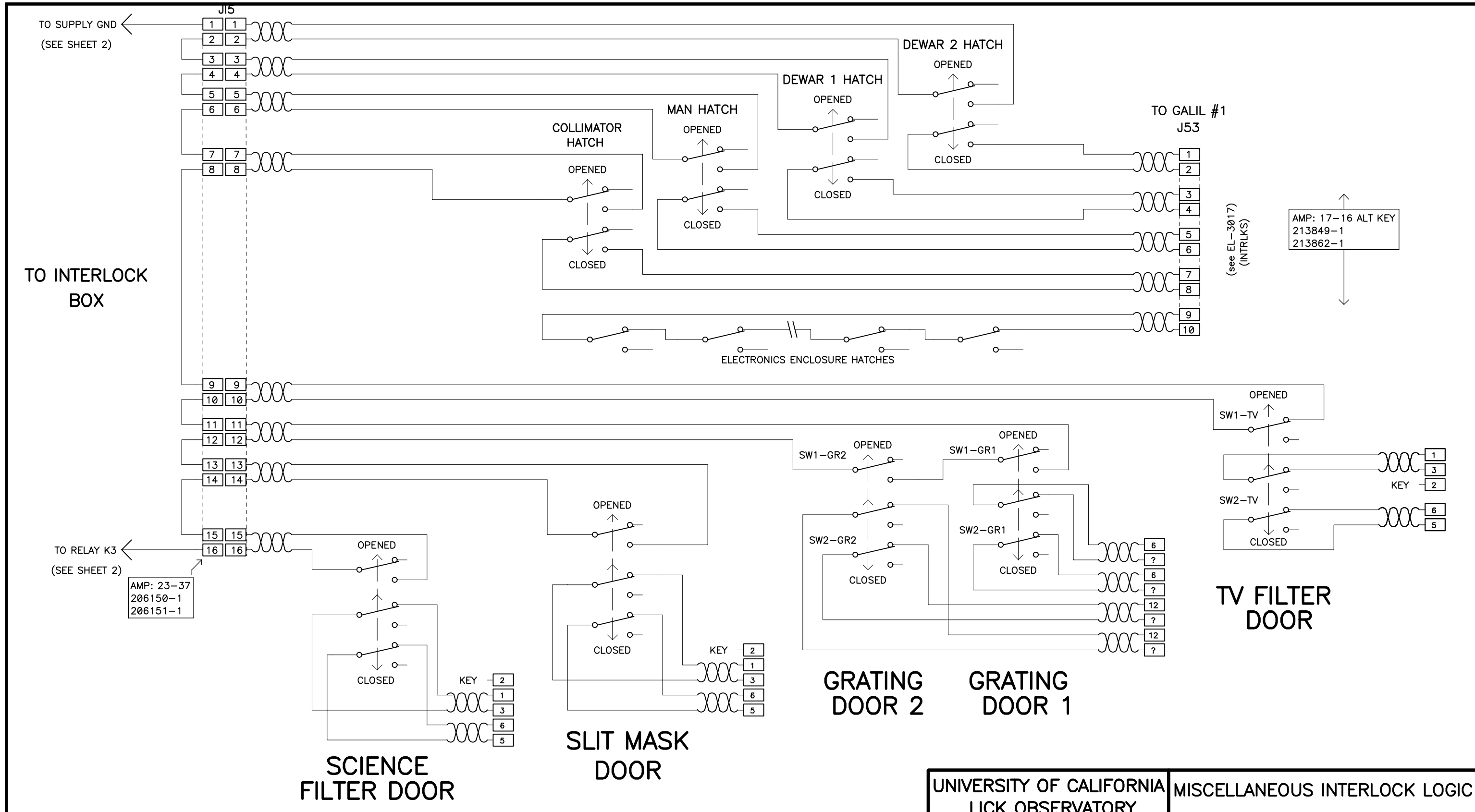
UNIVERSITY OF CALIFORNIA LICK OBSERVATORY		MISCELLANEOUS INTERLOCK LOGIC DEIMOS SPECTROGRAPH	
DES'N BY: B. Alcott	ORIGIN DATE: 04-22-97	DWG. NO.	NUM. 1 OF 4
DRAWN BY:	MODIFY DATE: 07-10-00	EL-3120	
PATH: DEIMOS\INTERLOC			

(SEE SHEET 4)



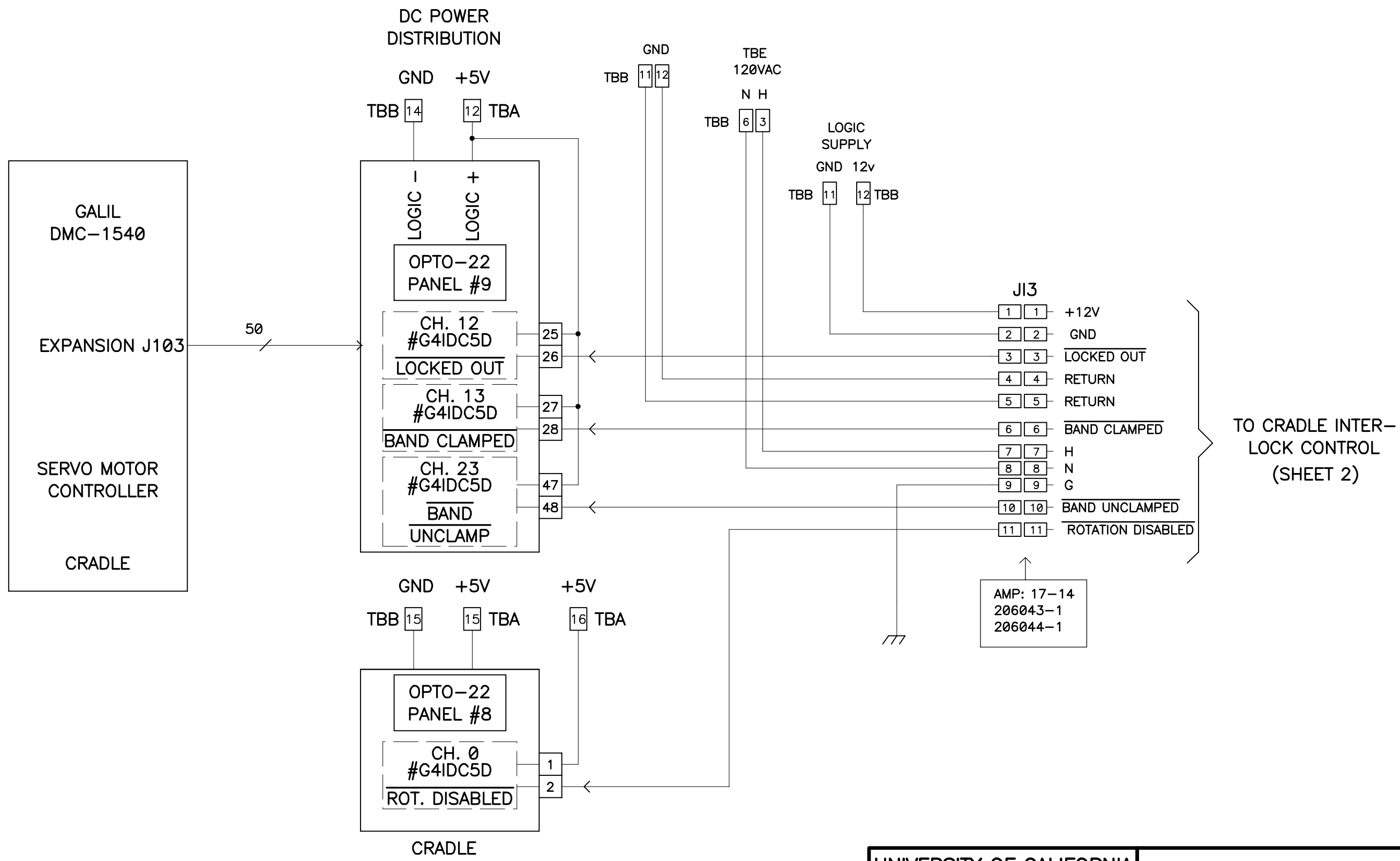
REVISION
10-30-97 ADDED ELECTRONICS HATCH SWITCHES AND CHANGE FROM EL-3013 TO EL-3120
02-23-98 CHANGED J54 TO J53. ADDED CONNECTOR P/N. CHANGED *POSSIBLE EXPANSION JUMPERS.
03-19-98 ADDED TV FILTER DOOR SWITCH AND MOVED ELECTRONICS HATCH SWITCHES TO SHEET 3.
03-16-00 ADDED BAND UNCLAMPED SIGNAL - CHANGED JI6 FROM 4-PIN TO 9-PIN CONNECTOR AND CHANGED JI3 FROM 9-PIN TO 14-PIN CONNECTOR
04-04-00 ADDED RELAYS 3 AND 4 TO CREATE SEPERATE LOCKOUT AND DISABLE FUNCTIONS
08-07-00 CORRECTED PIN NUMBERS ON JI3-7 AND JI3-8. CHANGED SIGNAL LABELS TO: LOCKED OUT, BAND CLAMPED, BAND UNCLAMPED, AND ROTATION DIRABLED

UNIVERSITY OF CALIFORNIA LICK OBSERVATORY		MISCELLANEOUS INTERLOCK LOGIC DEIMOS SPECTROGRAPH	
DES'N BY: B. Alcott	ORIGIN DATE: 04-22-97	DWG. NO.	NUM. 2 OF 4
DRAWN BY:	MODIFY DATE: 08-07-00	EL-3120	
PATH: DEIMOS\INTERLOC			



REVISION
03-16-00 ADDED BAND UNCLAMPED SIGNAL TO CHANNEL 23
03-20-00 INSERTED NEW SHEET 3. OLD SHEET 3 NOW SHEET 4
04-04-00 REDREW SHEET

UNIVERSITY OF CALIFORNIA LICK OBSERVATORY		MISCELLANEOUS INTERLOCK LOGIC DEIMOS SPECTROGRAPH	
DES'N BY: B. Alcott	ORIGIN DATE: 04-22-97	DWG. NO.	NUM. 3 OF 4
DRAWN BY:	MODIFY DATE: 04-04-00	EL-3120	
PATH: DEIMOS\INTERLOC			



UNIVERSITY OF CALIFORNIA LICK OBSERVATORY		MISCELLANEOUS INTERLOCK LOGIC DEIMOS SPECTROGRAPH	
DES'N BY: B. Alcott	ORIGIN DATE: 04-22-97	DWG. NO.	NUM. 4 OF 4
DRAWN BY: T. CANTRALL	MODIFY DATE: 08-07-00	EL-3120	
PATH: DEIMOS\INTERLOC	REV.A		

REVISION
05-21-98 CREATED
03-16-00 ADDED BAND UNCLAMPED SIGNAL TO CHANNEL 23
03-20-00 INSERTED NEW SHEET 3. OLD SHEET 3 NOW SHEET 4
04-26-00 ENLARGED DRAWING
08-07-00 ADDED ROTATION DISABLED SIGNAL AND RELAY. CORRECTED LABELS FOR BAND CLAMP AND LOCKOUT. CORRECTED PIN NUMBER FOR GND TO PANEL #9.