

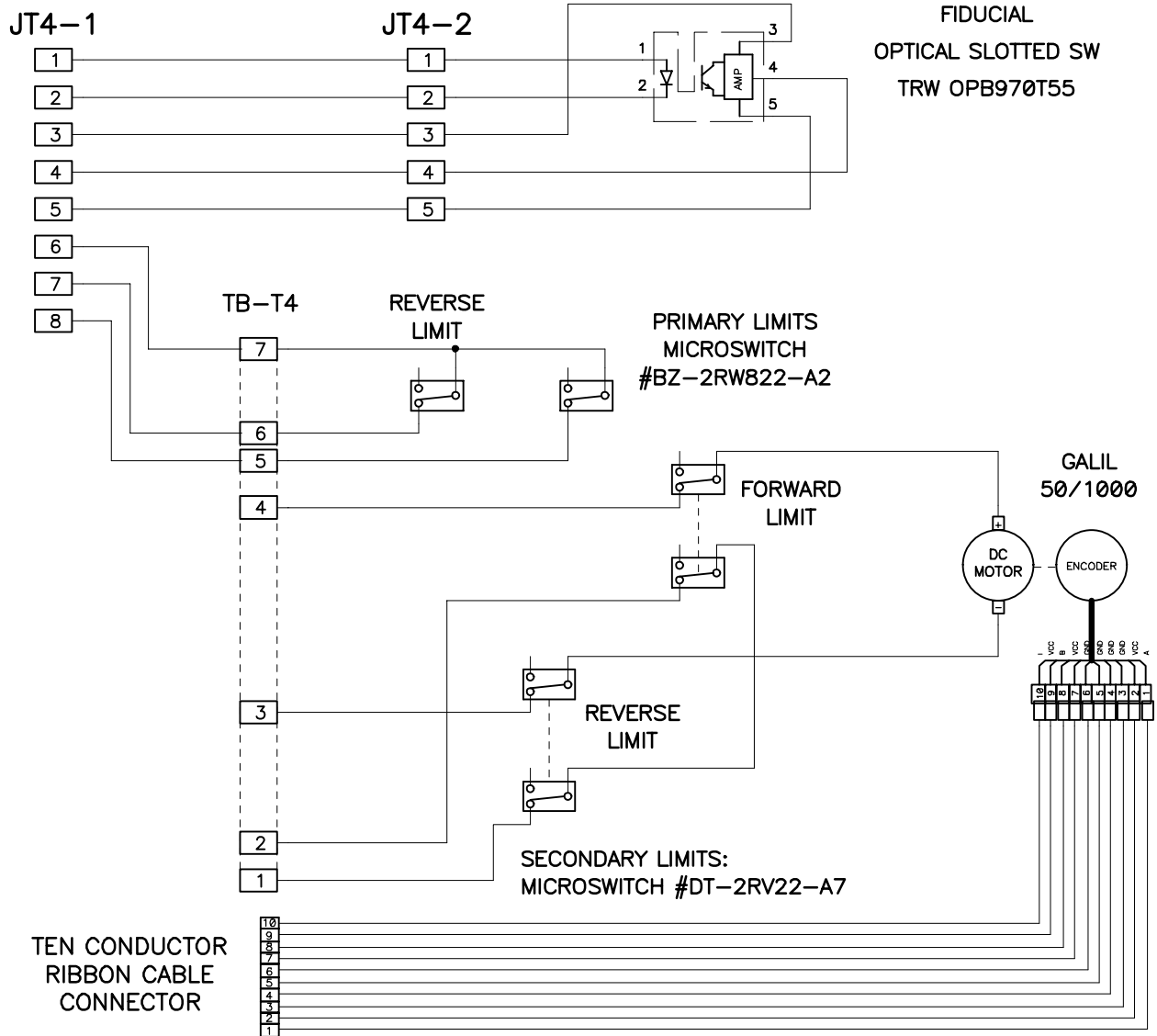
SEE SHEET 2 FOR
STAGE SCHEMATIC

SEE SHEET 3 FOR
ON STAGE WIRING

NOTE: ON EACH AMP-1140, INCOM & LSCOM
ARE JUMPERED TO +5V.

UNIVERSITY OF CALIFORNIA LICK OBSERVATORY		GRATING TILT #4 STAGE WIRING DEIMOS SPECTROGRAPH	
DES'N BY: B. Alcott	ORIGIN DATE: 05-05-95	DWG. NO.	NUM. 1 OF 3
DRAWN BY:	MODIFY DATE: 07-13-01	EL-3064	
PATH: DEIMOS\GRTILT4			

REVISION	
11-11-97	CHANGED STAGE DESIGNATION TO 'C'
08-09-99	CHANGED PRIMARY LIMITS FROM NORMALLY OPEN TO NORMALLY CLOSED SO THAT A BROKEN WIRE IS SENSED AS BEING IN A LIMIT
06-25-00	ADDED JB6 AND SHIELD CONNECTION BETWEEN JB1 AND JB3
10-31-00	ADDED SHEETS 2 AND 3 TO SHOW WIRING ON STAGE BODY
06-11-01	CHANGED SECONDARY LIMITS FROM N.O. IN PARALLEL TO N.C. IN SERIES
07-13-01	UPDATED SHEETS 2 AND 3



UNIVERSITY OF CALIFORNIA
LICK OBSERVATORY

GRATING TILT #4 STAGE WIRING
DEIMOS SPECTROGRAPH

REVISION

- 10-31-00 ADDED SHEETS 2 AND 3
- 05-24-01 ADDED CONNECTORS JT5-1 AND JT5-2
- 07-13-01 CHANGED SECONDARY LIMITS TO BE IN SERIES

DES'N BY: B. Alcott

ORIGIN DATE: 05-05-95

DWG. NO. NUM. 2 OF 3

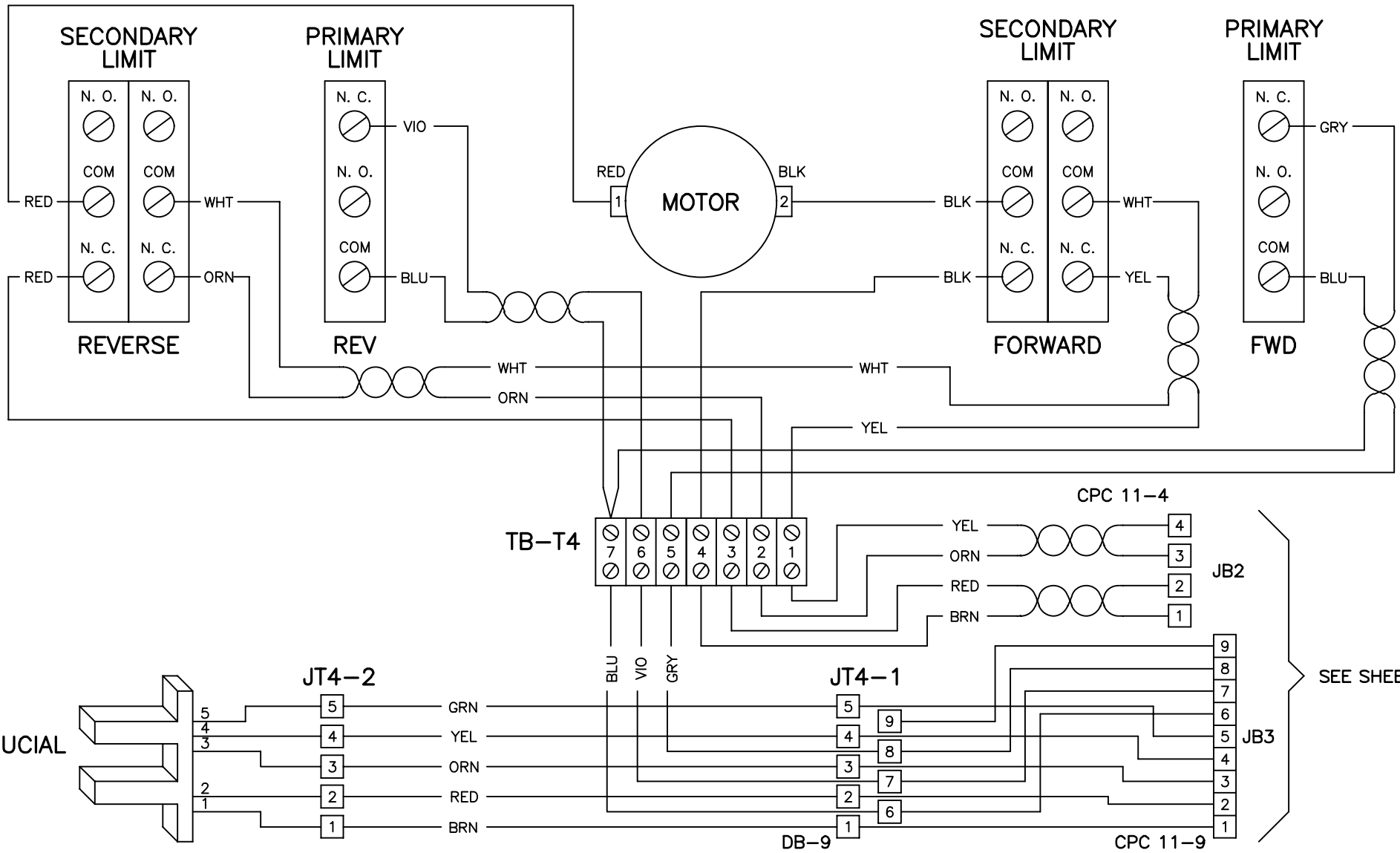
DRAWN BY:

MODIFY DATE: 07-13-01

PATH: DEIMOS\GRTILT4

REV. A

EL-3064



FIDUCIAL

SEE SHEET 2

UNIVERSITY OF CALIFORNIA
LICK OBSERVATORY

GRATING TILT #4 STAGE WIRING
DEIMOS SPECTROGRAPH

REVISION

10-31-00 ADDED SHEETS 2 AND 3
06-11-01 CHANGED SECONDARY LIMITS FROM N.O. IN PARALLEL TO N.C. IN SERIES
07-13-01 CHANGED SECONDARY LIMITS TO BE IN SERIES

DES'N BY: B. Alcott

ORIGIN DATE: 05-05-95

DWG. NO.

NUM. 3 OF 3

DRAWN BY:

MODIFY DATE: 07-13-01

PATH: DEIMOS\GRTILT4

REV. A

EL-3064