

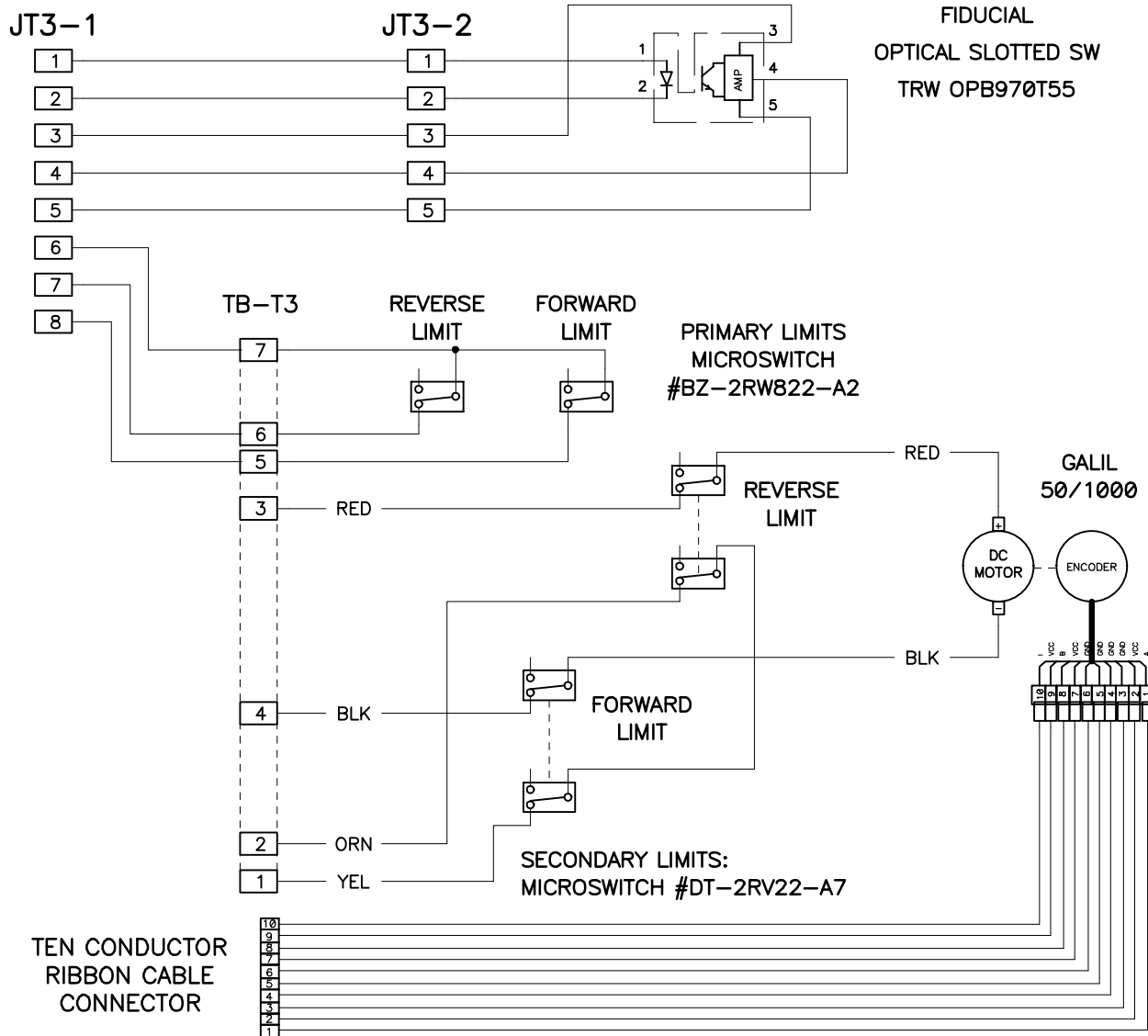
SEE SHEET 2 FOR
STAGE SCHEMATIC

SEE SHEET 3 FOR
ON STAGE WIRING

NOTE: ON EACH AMP-1140, INCOM & LSCOM
ARE JUMPERED TO +5V.

UNIVERSITY OF CALIFORNIA LICK OBSERVATORY		GRATING TILT #3 STAGE WIRING DEIMOS SPECTROGRAPH	
DES'N BY: B. Alcott	ORIGIN DATE: 05-05-95	DWG. NO. EL-3062	NUM. 1 OF 3
DRAWN BY:		MODIFY DATE: 07-13-01	
PATH: DEIMOS\GRTILT3		REV. A	

REVISION	
08-09-99	CHANGED PRIMARY LIMITS FROM NORMALLY OPEN TO NORMALLY CLOSED SO THAT A BROKEN WIRE IS SENSED AS BEING IN A LIMIT
03-14-00	CORRECTED TBC AND TBD PIN NUMBERS
06-25-00	ADDED JB6 AND SHIELD CONNECTION BETWEEN JB1 AND JB3
10-31-00	ADDED SHEETS 2 AND 3
07-13-01	WIRED SECONDARY LIMIT SWITCHES IN SERIES
07-30-01	ADDED WIRE COLORS AND RE-ARRANGED FWD/REV SEC. LIMITS (SHEET 2)



TEN CONDUCTOR
RIBBON CABLE
CONNECTOR

UNIVERSITY OF CALIFORNIA
LICK OBSERVATORY

GRATING TILT #3 STAGE WIRING
DEIMOS SPECTROGRAPH

REVISION

10-31-00 ADDED SHEETS 2 AND 3
05-24-01 ADDED CONNECTORS JT5-1 AND JT5-2
07-13-01 CHANGED SECONDARY LIMITS TO BE IN SERIES
07-30-01 ADDED WIRE COLORS AND RE-ARRANGED FWD/REV SECONDARY LIMITS

DES'N BY: B. Alcott

ORIGIN DATE: 05-05-95

DWG. NO. NUM. 2 OF 3

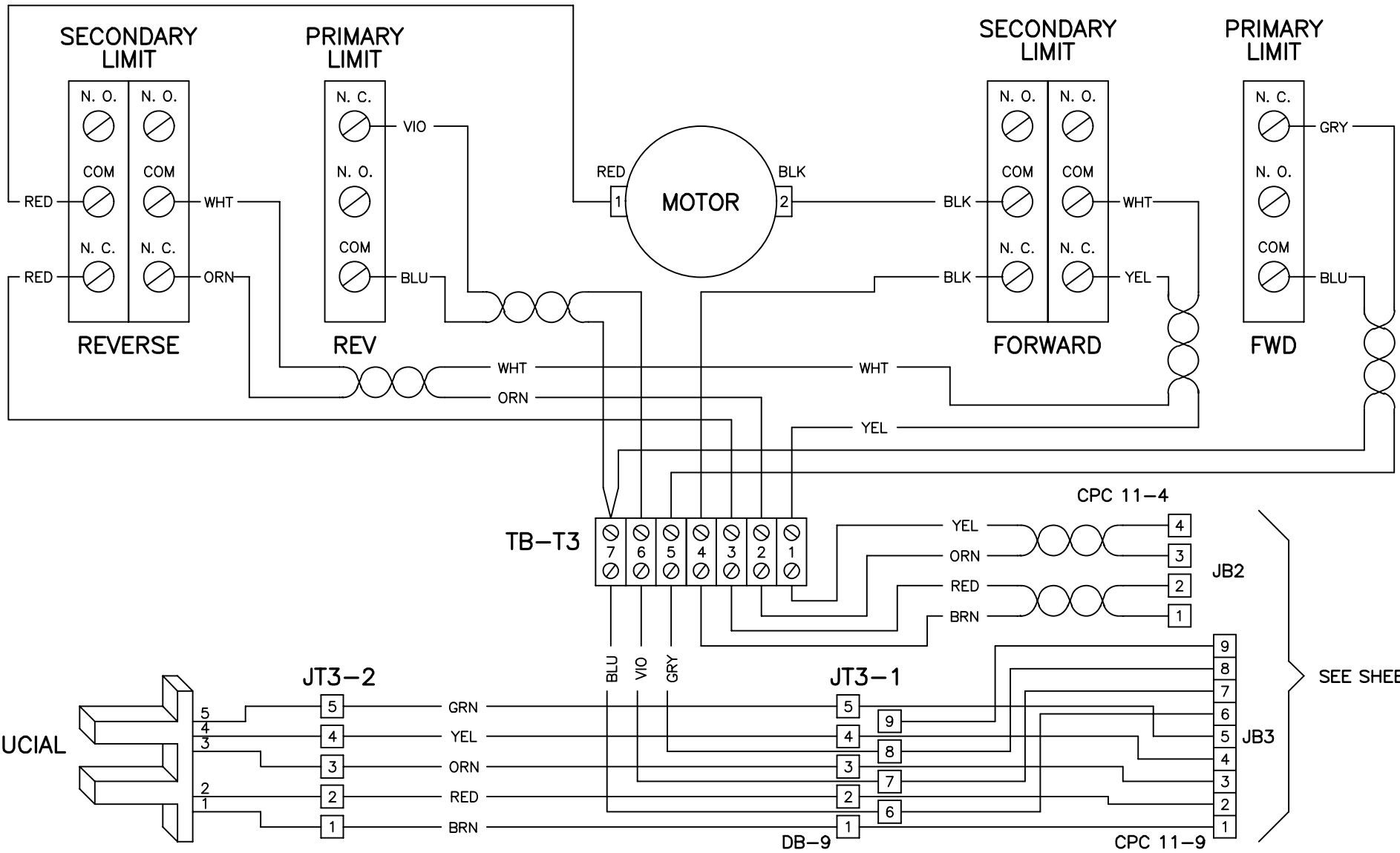
DRAWN BY:

MODIFY DATE: 07-30-01

PATH: DEIMOS\GRTILT3

REV. A

EL-3062



SEE SHEET 2

UNIVERSITY OF CALIFORNIA LICK OBSERVATORY		GRATING TILT #3 STAGE WIRING DEIMOS SPECTROGRAPH	
REVISION		DRAWN BY:	MODIFY DATE: 07-13-01
10-31-00 ADDED SHEETS 2 AND 3 05-24-01 ADDED CONNECTORS JT5-1 AND JT5-2 07-13-01 CHANGED SECONDARY LIMITS TO BE IN SERIES		PATH: DEIMOS\GRTILT3	REV. A
		DWG. NO.	NUM. 3 OF 3
		EL-3062	