

SEE EL-3082 SHEET 2 FOR 2ND FIDUCIAL WIRING

UNIVERSITY OF CALIFORNIA
LICK OBSERVATORY

GRATING SLIDE STAGE WIRING
DEIMOS SPECTROGRAPH

REVISION

- 06-01-01 SHEET 3
- 07-06-01 ADDED 11-4 CONN. AND WIRE COLORS, CORRECTED TB-11 WIRING SHEET 2
- 07-26-01 UPDATED SHEETS 3 AND 4 FOR PRM WIRING
- 08-29-01 ADDED PIN LOCK INTERLOCK WIRING SHEET 2
- 02-25-02 REMOVED RELAYS AND ADDED EL-1301 CIRCUIT BOARD (SHEET 3)
- 06-18-02 CORRECTED CONNECTOR JG47 LABEL AND PINS 2 AND 3 (SHEET 3)
- 06-18-02 CHANGED CONNECTORS FROM J43 AND JG43 TO J44 AND JG44 (SHEET 4)

DES'N BY: B. Alcott

DRAWN BY:

PATH: DEIMOS\GRSLIDE

ORIGIN DATE: 04-28-95

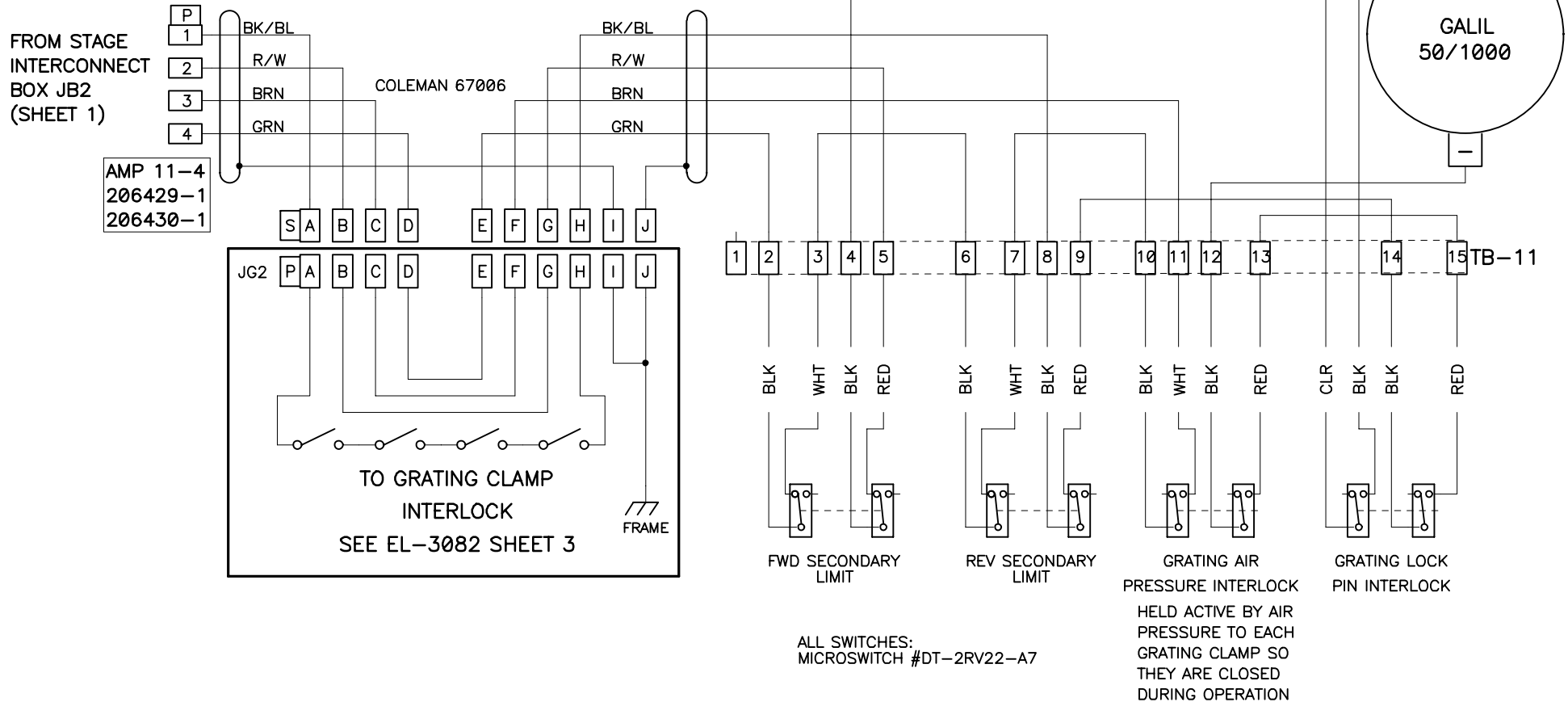
MODIFY DATE: 06-18-02

REV. A

DWG. NO. EL-3066

NUM. 1 OF 4

DIRECT TO INPUT
BIT 69 OF GALIL
CONTROLLER #2
(Temporary)



UNIVERSITY OF CALIFORNIA
LICK OBSERVATORY

GRATING SLIDE STAGE WIRING
DEIMOS SPECTROGRAPH

REVISION

03-12-01 ADDED SHEET 2 TO SHOW LIMIT SWITCHES CLEARLY
06-11-01 CORRECTED DRAWING TO SHOW JG2 BETWEEN INTERCONNECT BOX AND TB-11
06-19-01 ADDED FRAME GROUND TO GRATING CLAMP INTERLOCK, JG2, PIN J
07-06-01 ADDED 11-4 CONNECTOR AND WIRE COLORS AND CORRECTED TB-11 WIRING
08-29-01 ADDED PIN LOCK INTERLOCK WIRING

DES'N BY: B. Alcott

ORIGIN DATE: 04-28-95

DWG. NO.

NUM. 2 OF 4

DRAWN BY:

MODIFY DATE: 08-29-01

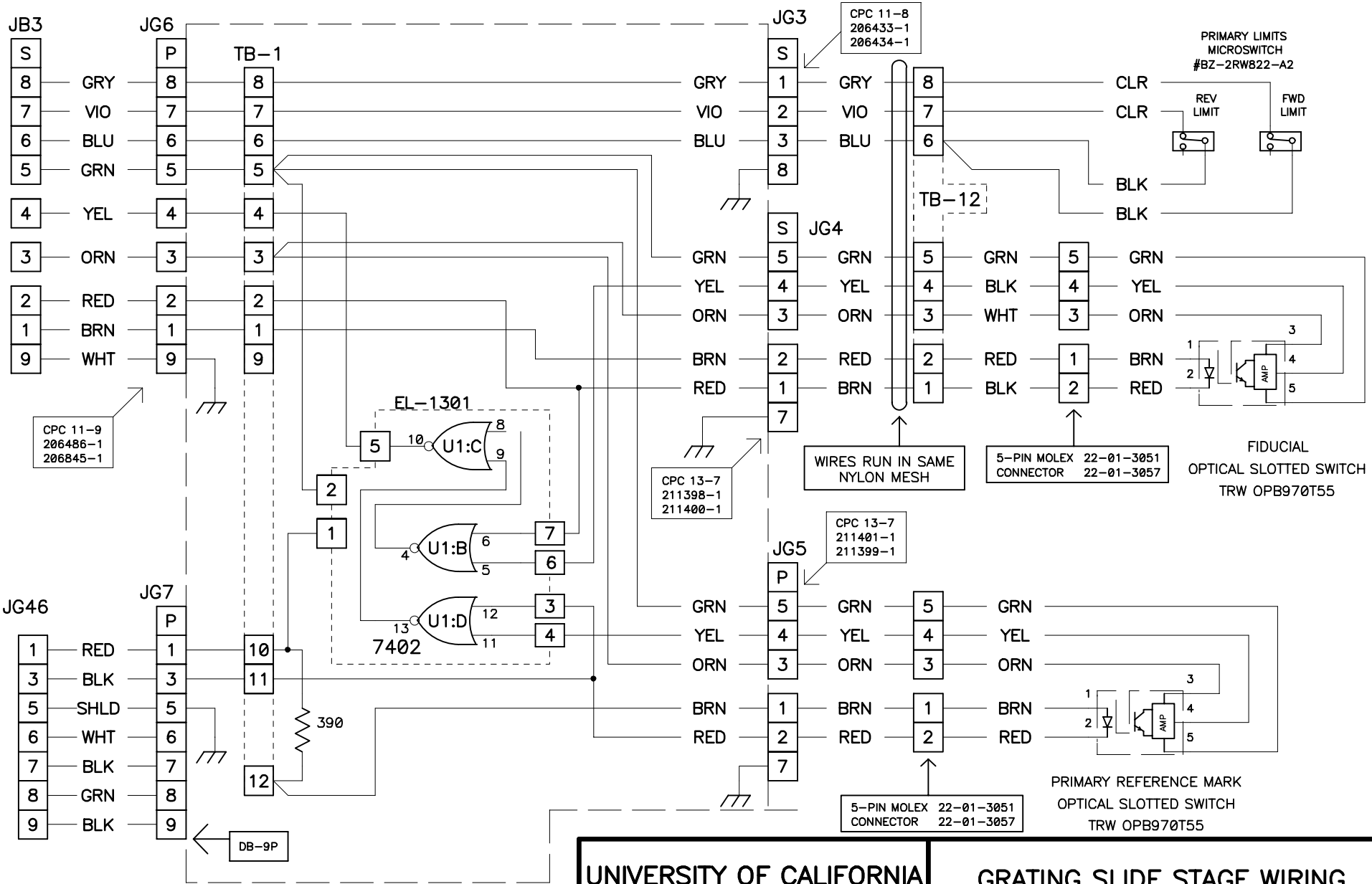
PATH: DEIMOS\GRSLIDE

REV. A

EL-3066

SEE SHEET 1

TO CONTROLLER 2
CHAN 13, BIT 38



REVISION

06-01-01	ADDED THIS SHEET AND CORRECTED PINS AND CONNECTIONS ON JG2
06-25-01	CHANGED JG1 TO JG6 AND JG2 TO JG7 TO AVOID NAMING CONFLICTS. ADDED CONNECTOR PART NUMBERS
07-26-01	ADDED TB12, WIRE COLORS AND PRM DRIVE CABLE INFO
02-25-02	REMOVED RELAYS AND ADDED EL-1301 CIRCUIT BOARD
06-18-02	CORRECTED CONNECTOR JG47 LABEL AND PINS 2 AND 3

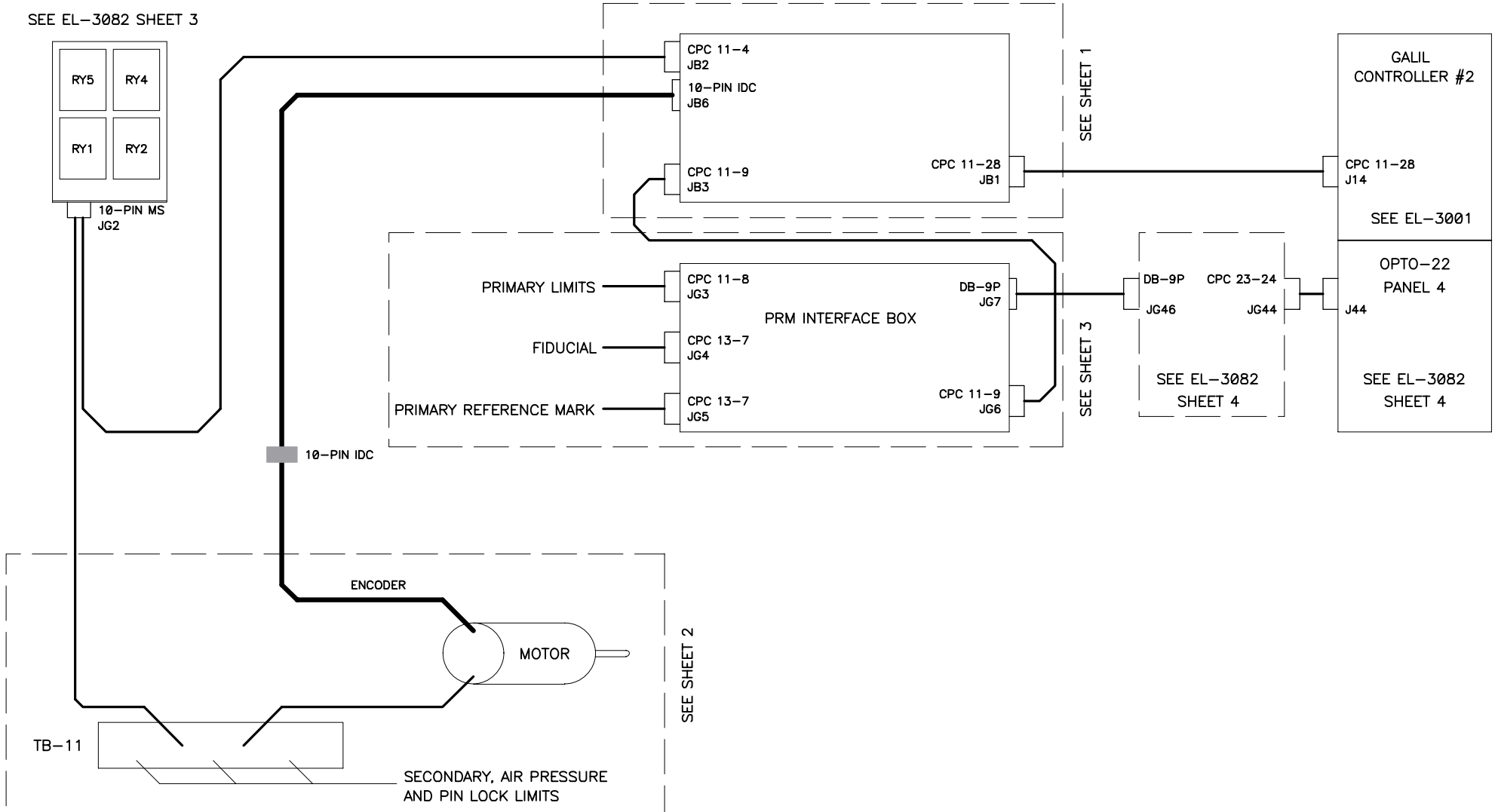
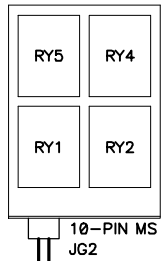
UNIVERSITY OF CALIFORNIA
LICK OBSERVATORY

GRATING SLIDE STAGE WIRING
DEIMOS SPECTROGRAPH

DES'N BY: B. Alcott	ORIGIN DATE: 04-28-95
DRAWN BY:	MODIFY DATE: 06-18-02
PATH: DEIMOS\GRSLIDE	
REV. A	

DWG. NO.	NUM. 3 OF 4
EL-3066	

SEE EL-3082 SHEET 3



SEE SHEET 1

SEE SHEET 3

SEE SHEET 2

GALIL CONTROLLER #2

CPC 11-28 J14

SEE EL-3001

OPTO-22 PANEL 4

SEE EL-3082 SHEET 4

PRIMARY LIMITS

FIDUCIAL

PRIMARY REFERENCE MARK

CPC 11-4 JB2
10-PIN IDC JB6

CPC 11-9 JB3

CPC 11-28 JB1

CPC 11-8 JG3

CPC 13-7 JG4

CPC 13-7 JG5

DB-9P JG7

DB-9P JG46

CPC 23-24 JG44

J44

10-PIN IDC

ENCODER

MOTOR

TB-11

SECONDARY, AIR PRESSURE AND PIN LOCK LIMITS

REVISION

- 07-26-01 ADDED PRM CONNECTIONS
- 08-29-01 ADDED PIN LOCK INTERLOCK WIRING
- 06-18-02 CHANGED CONNECTORS FROM J43 AND JG43 TO J44 AND JG44

UNIVERSITY OF CALIFORNIA
LICK OBSERVATORY

GRATING SLIDE STAGE WIRING
DEIMOS SPECTROGRAPH

DES'N BY: B. Alcott

ORIGIN DATE: 04-28-95

DWG. NO.

NUM. 4 OF 4

DRAWN BY:

MODIFY DATE: 06-18-02

PATH: DEIMOS\GRSLIDE

REV. A

EL-3066