

CAUTION: PCB'S AT REV. A NEED TO HAVE PIN 5 OF TB1 ISOLATED FROM GROUND AND CONNECTED TO THE N/O TERMINAL OF THE STOP SWITCH

UNIVERSITY OF CALIFORNIA
LICK OBSERVATORY

GRATING PUSH BUTTON STATION
DEIMOS SPECTROGRAPH

REVISION

07-13-01 ADDED WIRE COLORS ON SHEET 2
11-05-01 ADDED DETAILS TO INTER-BOX CONNECTIONS AND LIMIT SWITCH CONNECTOR
11-07-01 REWORKED CIRCUIT TO FIT BOARD LAYOUT.
11-16-01 ADDED WIRE COLORS AND CORRECTED SHIELD CONFIGURATION ON INTERCONNECT CABLE BETWEEN BOX 1 AND 2

DES'N BY: B. Alcott

ORIGIN DATE: 03-04-98

DWG. NO. NUM. 1 OF 2

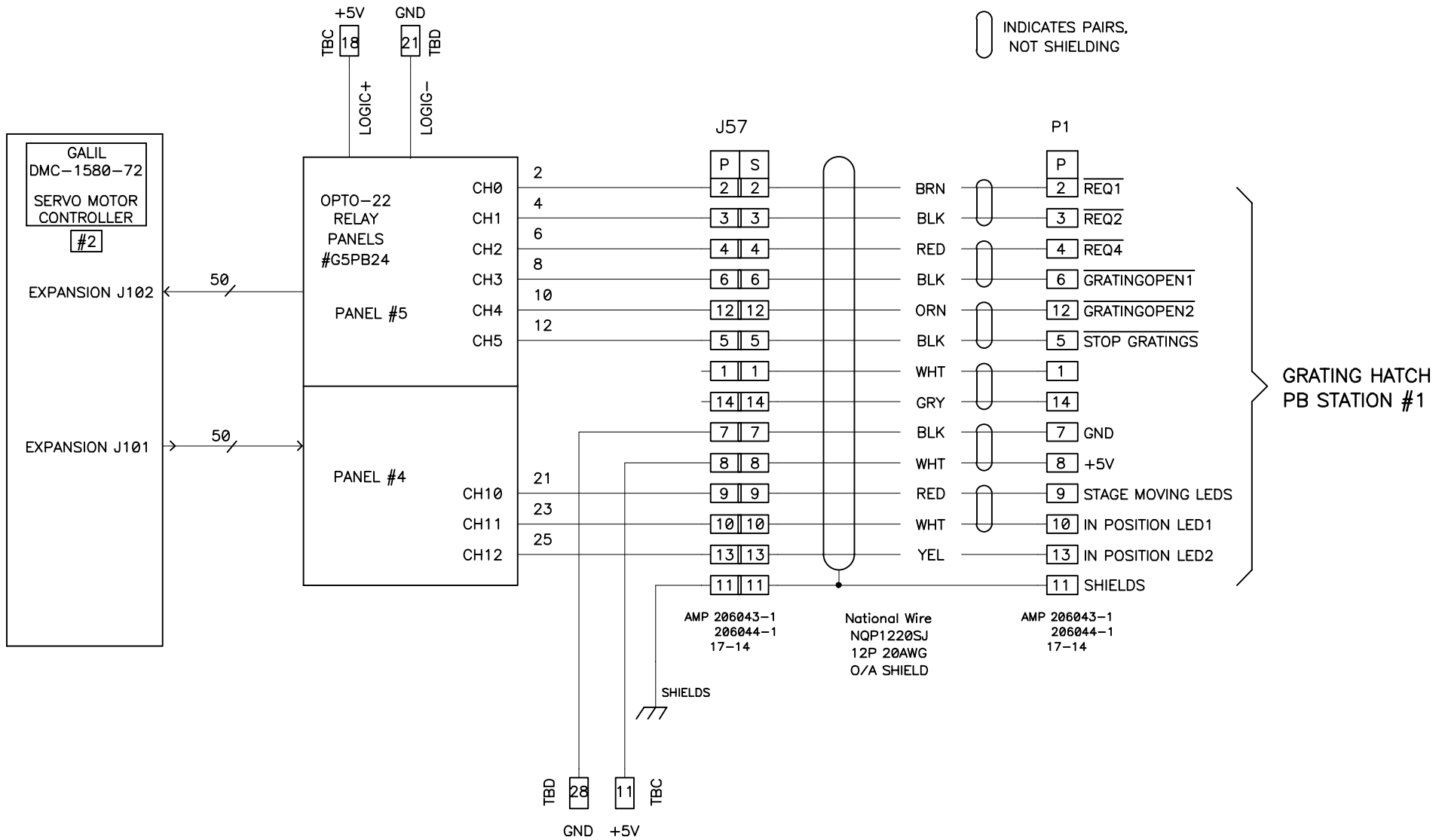
DRAWN BY:

MODIFY DATE: 11-16-01

PATH: DEIMOS\GRATEPB

REV. A

EL-3071



UNIVERSITY OF CALIFORNIA LICK OBSERVATORY		GRATING PUSH BUTTON STATION DEIMOS SPECTROGRAPH	
REVISION		DES'N BY: B. Alcott	ORIGIN DATE: 03-04-98
05-11-98 CORRECTED OPTO-22 PANEL CHANNELS & PIN NO.s. 07-13-01 ADDED WIRE COLORS 11-21-01 ADDED CONNECTOR AND CABLE PAIR INFO, CORRECTED CABLE TYPE		DRAWN BY:	MODIFY DATE: 11-21-01
		PATH: DEIMOS\GRATEPB	
		DWG. NO.	NUM. 2 OF 2
		EL-3071	