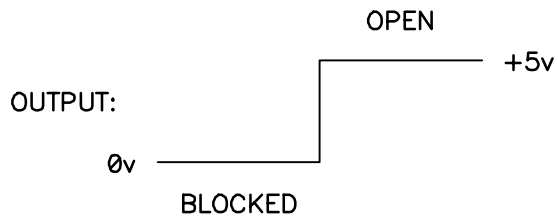
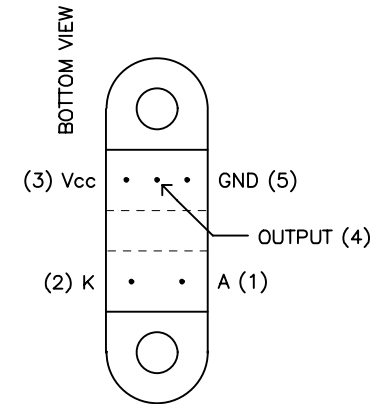
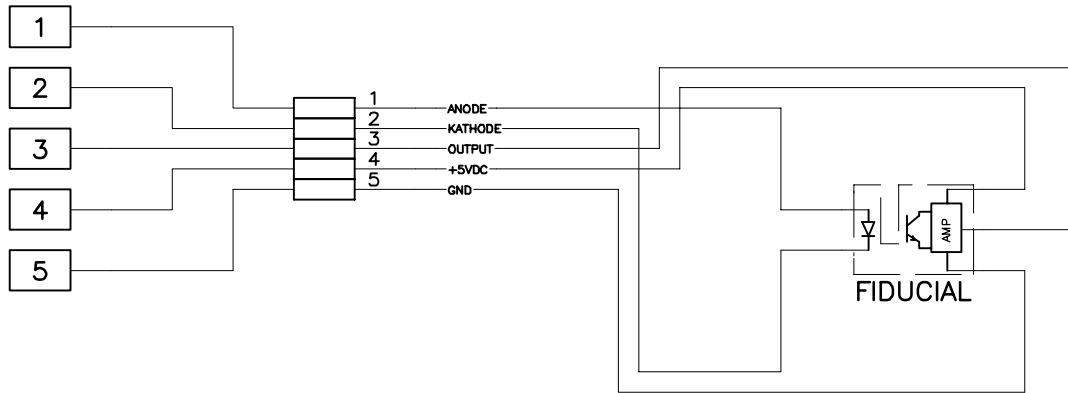


(ADDED LARGER PADS)



UNIVERSITY OF CALIFORNIA
LICK OBSERVATORY

MOUNTING BOARD FOR OPTICAL
SLOTTED SWITCH

REVISION

01-07-02 CHANGED SLOTTED SWITCH TO THE CORRECT SYMBOL
01-29-02 ADDED OUTPUT DIAGRAM FOR CLARIFICATION

DES'N BY: L. Bresee

ORIGIN DATE: 04-20-98

DWG. NO.

NUM. 1 OF 1

Last SN: 4

MODIFY DATE: 01-29-02

PATH: GENERAL\EL-1255\FIDUCIAL BOARD

REV. B

EL-1255