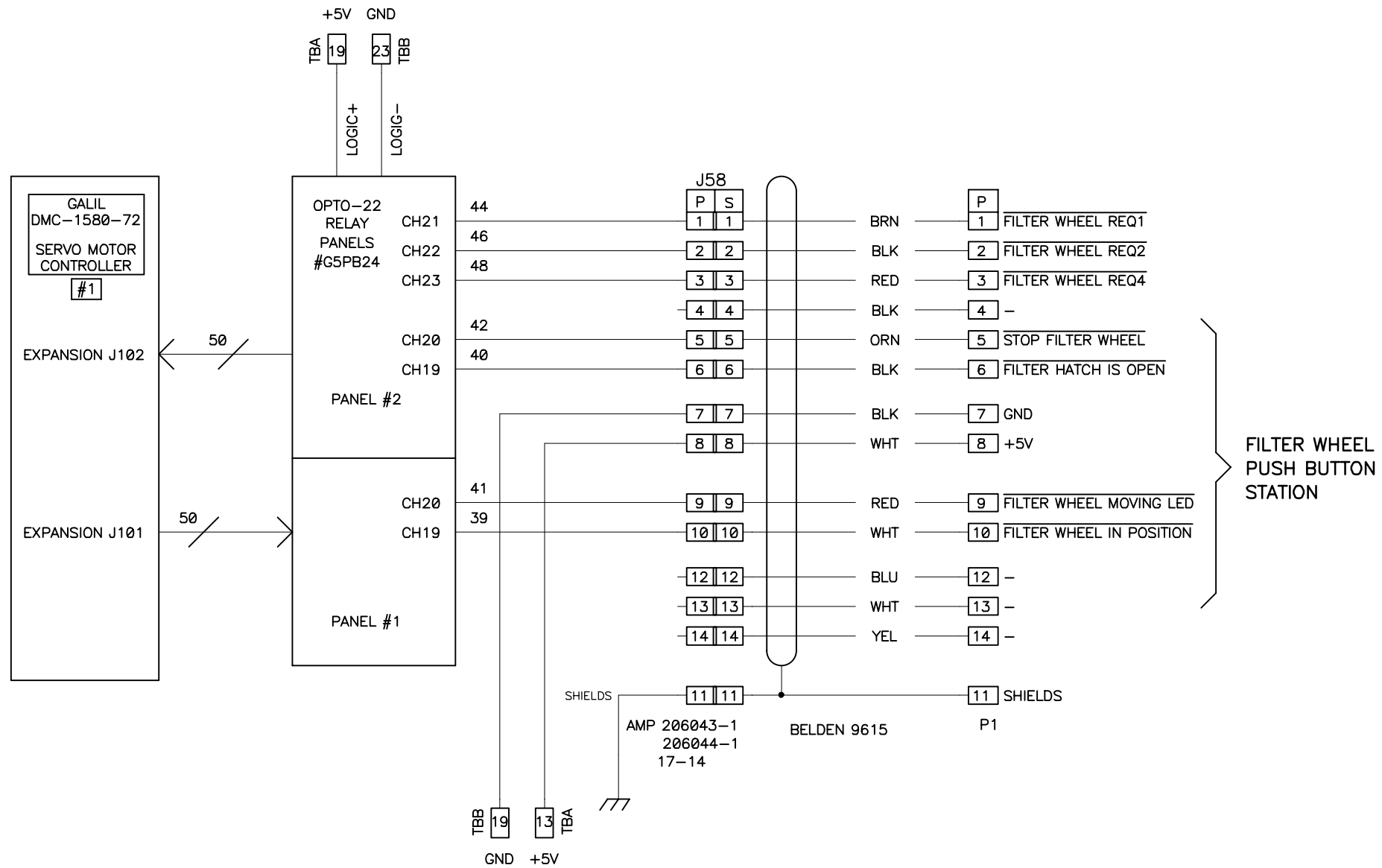


CAUTION: PCB'S AT REV. A NEED TO HAVE PIN 5 OF TB1 ISOLATED FROM GROUND AND CONNECTED TO THE N/O TERMINAL OF THE STOP SWITCH

UNIVERSITY OF CALIFORNIA LICK OBSERVATORY		FILTER WHEEL PUSH BUTTON STATION DEIMOS SPECTROGRAPH	
DES'N BY: B. Alcott	ORIGIN DATE: 03-12-98	DWG. NO.	NUM. 1 OF 2
Last SN	MODIFY DATE: 11-09-01	EL-3073	
PATH: DEIMOS\FILTERPB			

REVISION	
05-04-98	CORRECTED FILTER WHEEL BIT NUMBERS
03-02-01	ADDED MOLEX CONNECTOR FOR HATCH SWITCH
07-13-01	ADDED WIRE COLORS TO SHEET 2
09-11-01	ADDED MOLEX & AMP CONNECTOR INFORMATION
11-09-01	CORRECTED MOLEX & AMP CONNECTOR INFORMATION



REVISION	
04-02-98	ADDED PANEL 2 PIN NUMBERS
05-11-98	CORRECTED FILTER WHEEL BIT NUMBERS
07-13-01	ADDED WIRE COLORS

UNIVERSITY OF CALIFORNIA LICK OBSERVATORY		FILTER WHEEL PUSH BUTTON STATION DEIMOS SPECTROGRAPH	
DES'N BY: B. Alcott	ORIGIN DATE: 03-12-98	DWG. NO.	NUM. 2 OF 2
Last SN	MODIFY DATE: 07-13-01	EL-3073	
PATH: DEIMOS\FILTERPB			