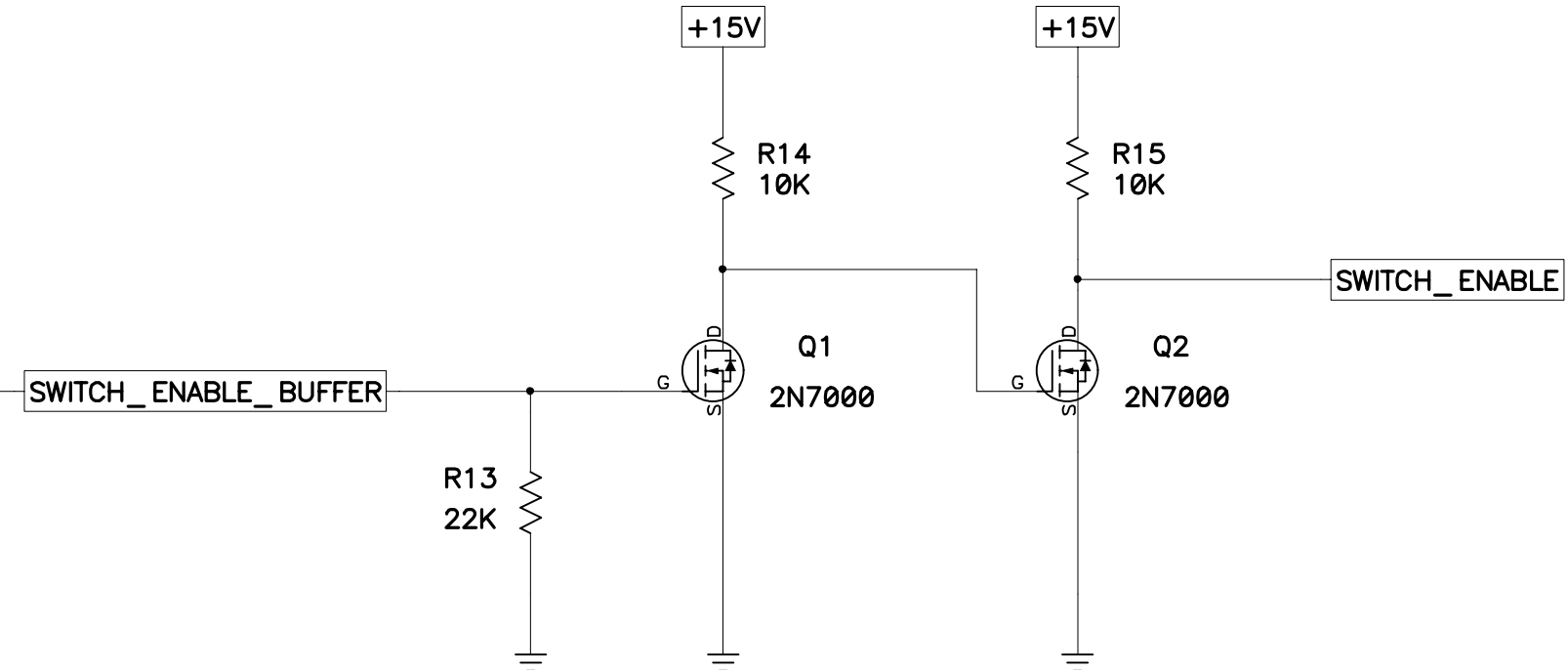
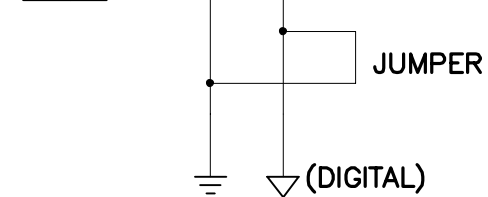
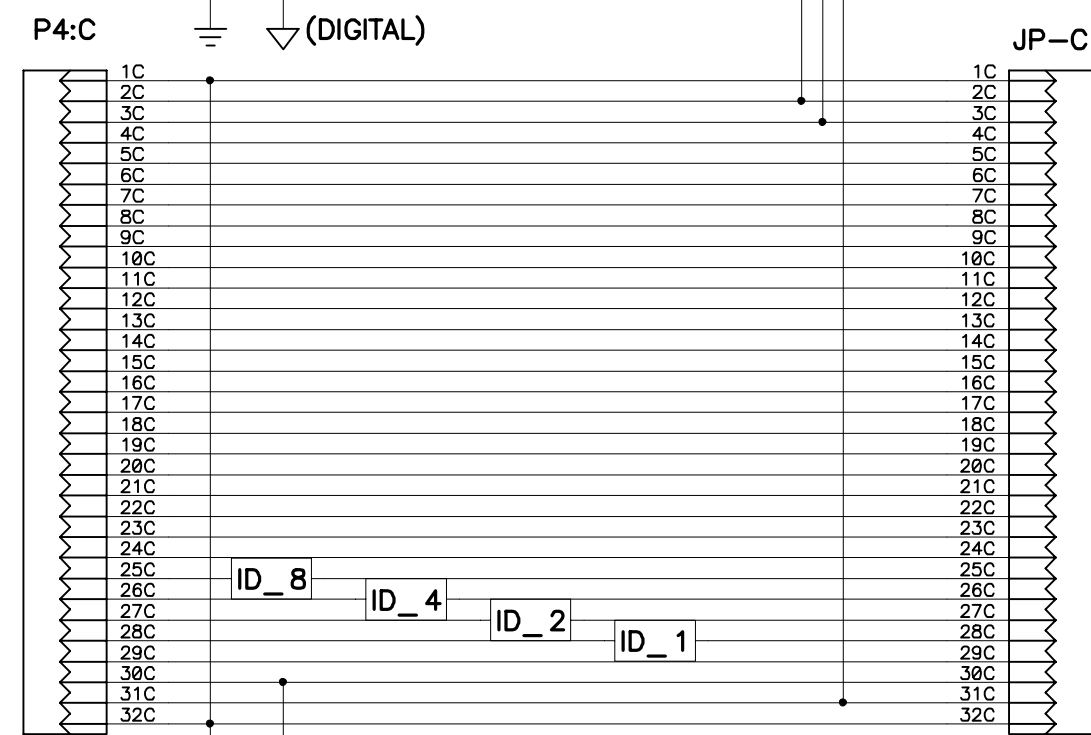
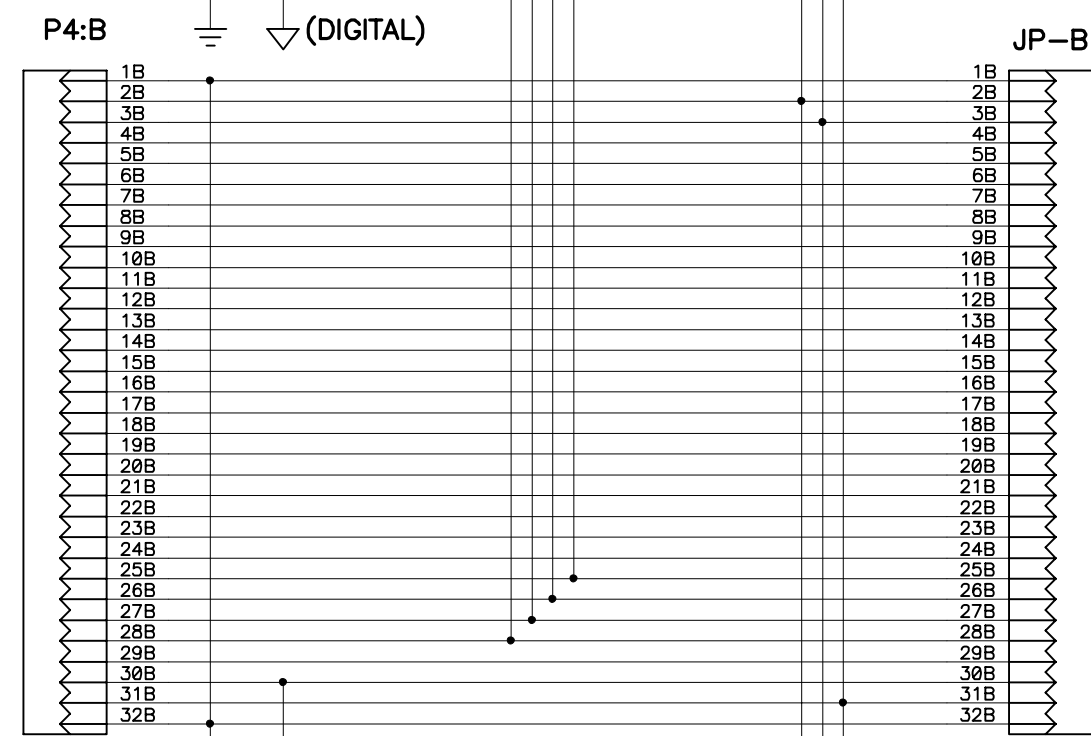
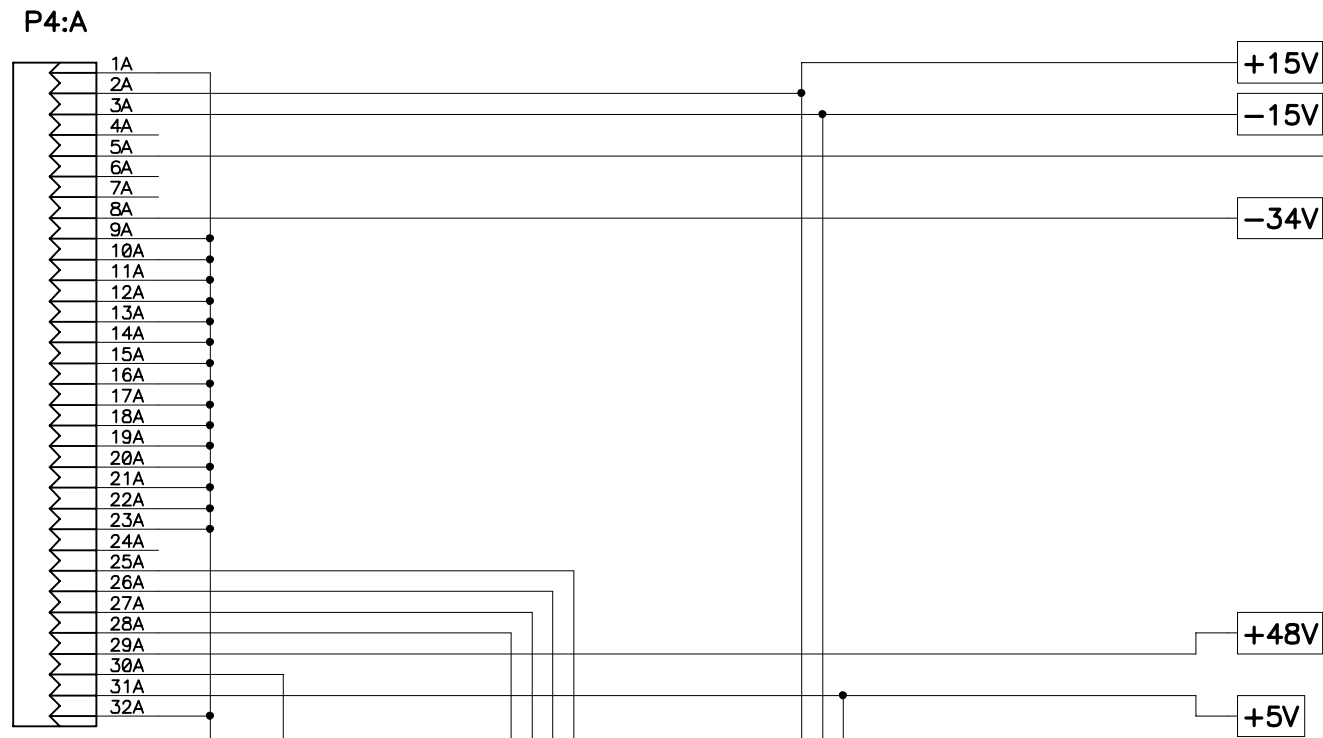


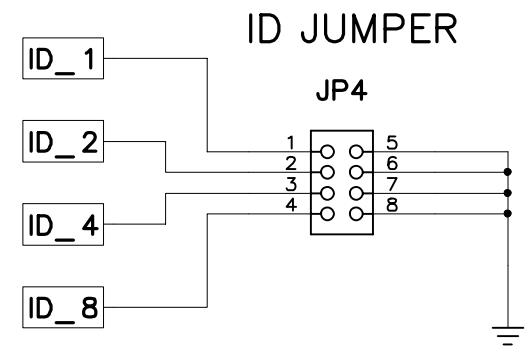
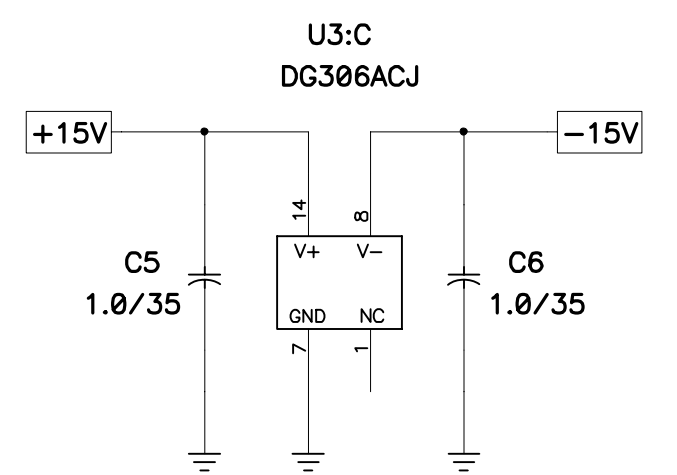
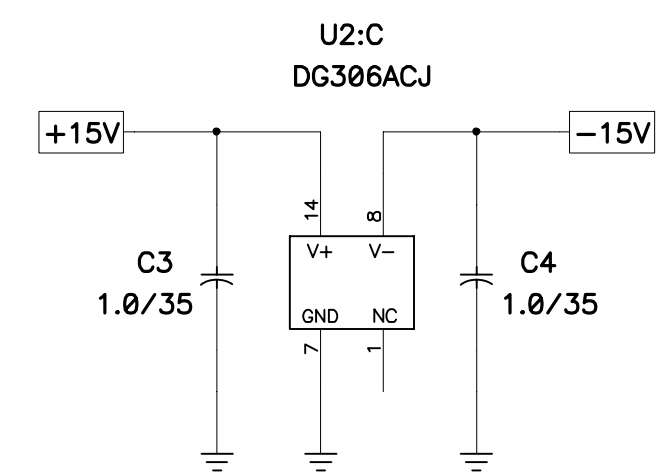
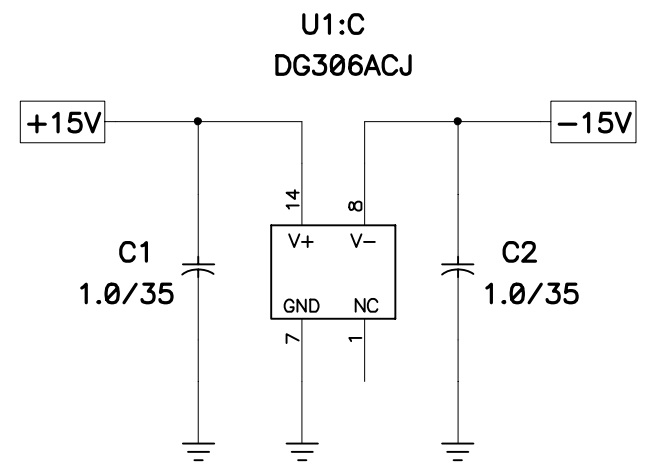
96-pin DIN



'B' BUS JUMPER

'C' BUS JUMPER

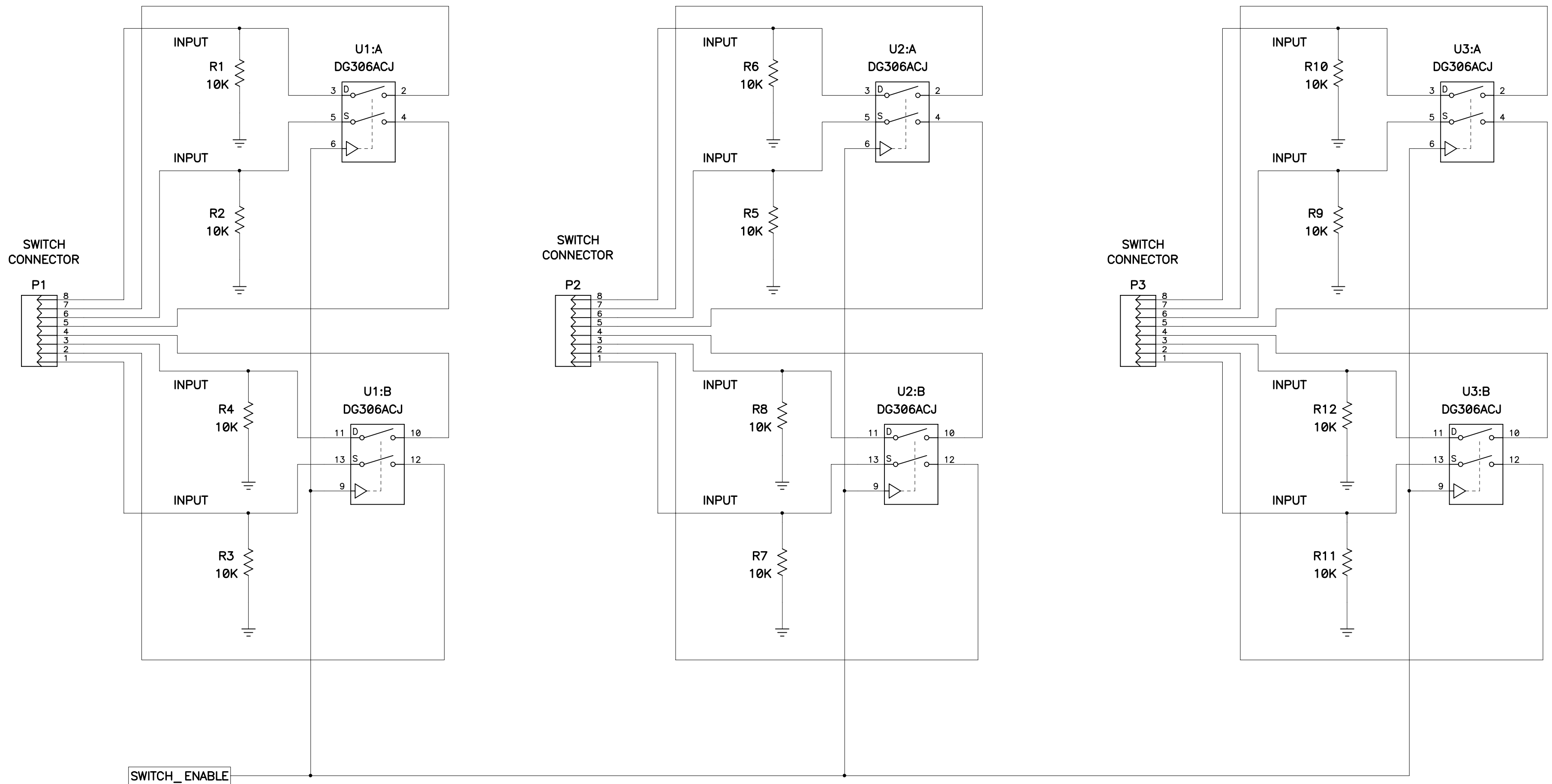
ANALOG SWITCH POWER



REVISION
Note: This is a modified version of original EL-1123N board

UNIVERSITY OF CALIFORNIA LICK OBSERVATORY	
LBNL CCD Analog Switch Board	
DWG. NO. EL-1294	REV A
DES'N BY: Chris Wright	ORIGIN DATE: May 18, 2001
Last SN:	MODIFY DATE:
PATH: HI_RHO_CCD\dewar_switch.sch	SHEET 1 OF 3

ANALOG SWITCHES



UNIVERSITY OF CALIFORNIA LICK OBSERVATORY

LBNL CCD Analog Switch Board

DWG. NO. EL-1294 REV A

DES'N BY: Chris Wright ORIGIN DATE: May 18, 2001

Last SN: MODIFY DATE:

PATH: HI_RHO_CCD\dewar_switch.sch SHEET 2 OF 3

REVISION

BOARD 1

BOARD 2

SIGNAL	JP-C 'C' BUS JUMPER (INPUTS)	SWITCH CONNECTOR	JP-C 'B' BUS JUMPER (OUTPUTS)
VSUB_IN	C4	P1-1	
VSUB		P1-2	B4
VR_IN	C5	P1-3	
VR		P1-4	B5
H1_IN	C6	P1-5	
H1		P1-6	B6
H2AR_IN	C7	P1-7	
H2AR		P1-8	B7

H3AR_IN	C8	P2-1	
H3AR		P2-2	B8
SUMMING WELL_IN	C9	P2-3	
SUMMING WELL		P2-4	B9
V1_IN	C10	P2-5	
V1		P2-6	B10
V2_IN	C11	P2-7	
V2		P2-8	B11

SIGNAL	JP-C 'C' BUS JUMPER (INPUTS)	SWITCH CONNECTOR	JP-C 'B' BUS JUMPER (OUTPUTS)
V3_IN	C12	P2-1	
V3		P2-2	B12
TA_IN	C13	P2-3	
TA		P2-4	B13
H2AL_IN	C18	P2-5	
H2AL		P2-6	B18
H3AL_IN	C19	P2-7	
H3AL		P2-8	B19

VOPG_IN	C23	P3-1	
VOPG		P3-2	B23

NOTE: The INPUTS are wire-wrapped with GREEN wire
The OUTPUTS are wire-wrapped in YELLOW wire

REVISION

UNIVERSITY OF CALIFORNIA LICK OBSERVATORY	
LBNL CCD Analog Switch Board	
DWG. NO.	EL-1294
REV A	
DES'N BY: Chris Wright	ORIGIN DATE: May 18, 2001
Last SN:	MODIFY DATE:
PATH: HI_RHO_CCD\dewar_switch.sch	SHEET 3 OF 3