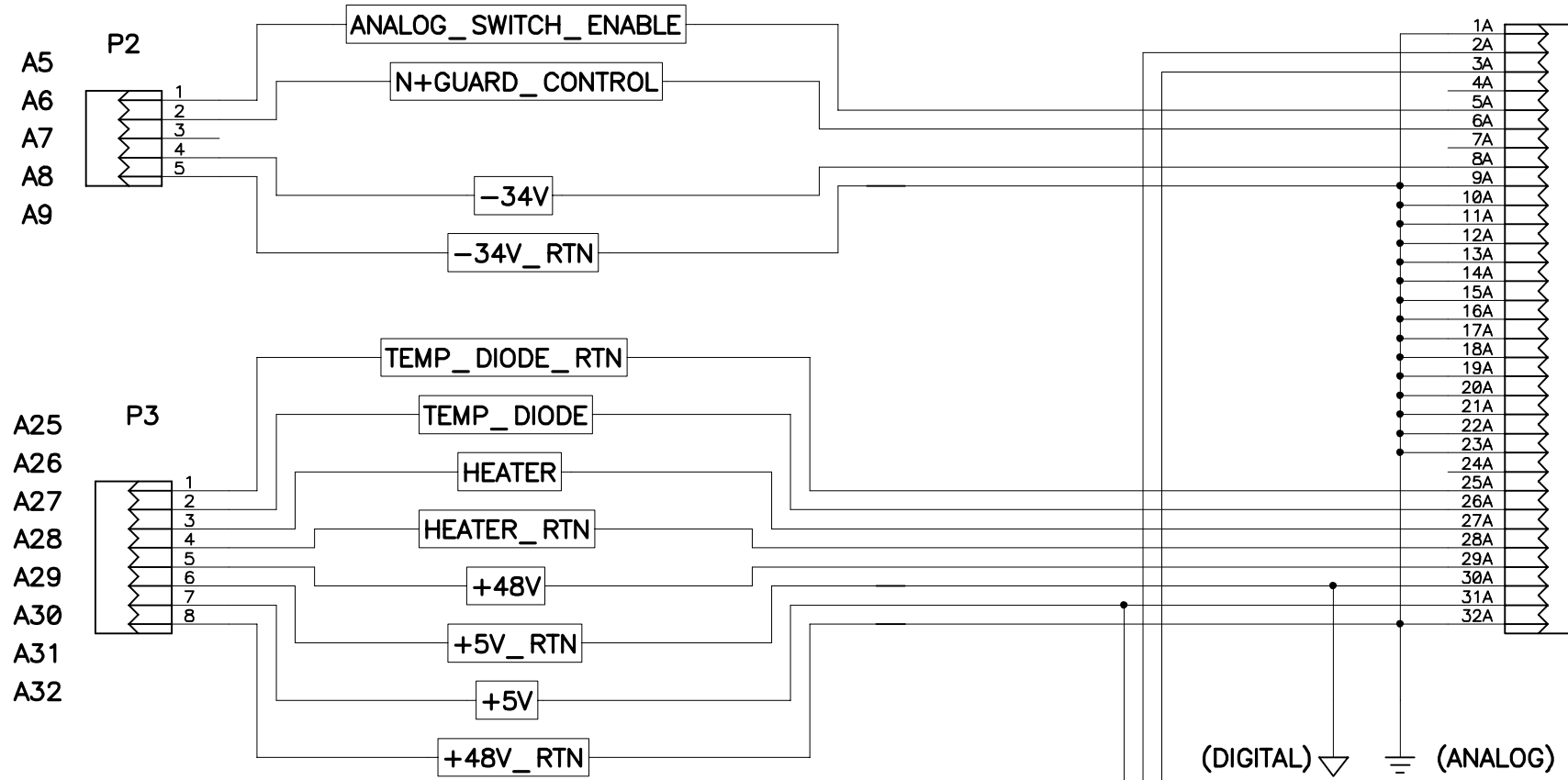


FROM FILTER BOARD #1 AND #2

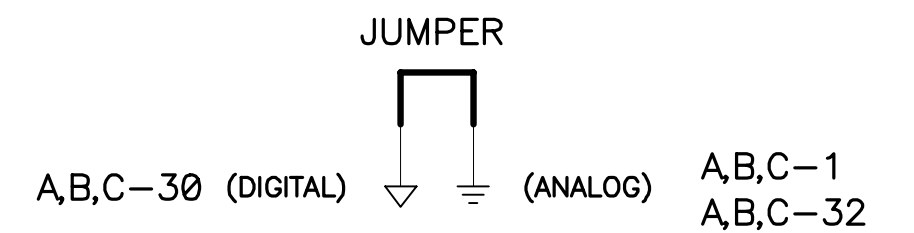


'A' BUS  
MISCELLANEOUS INPUTS & POWER

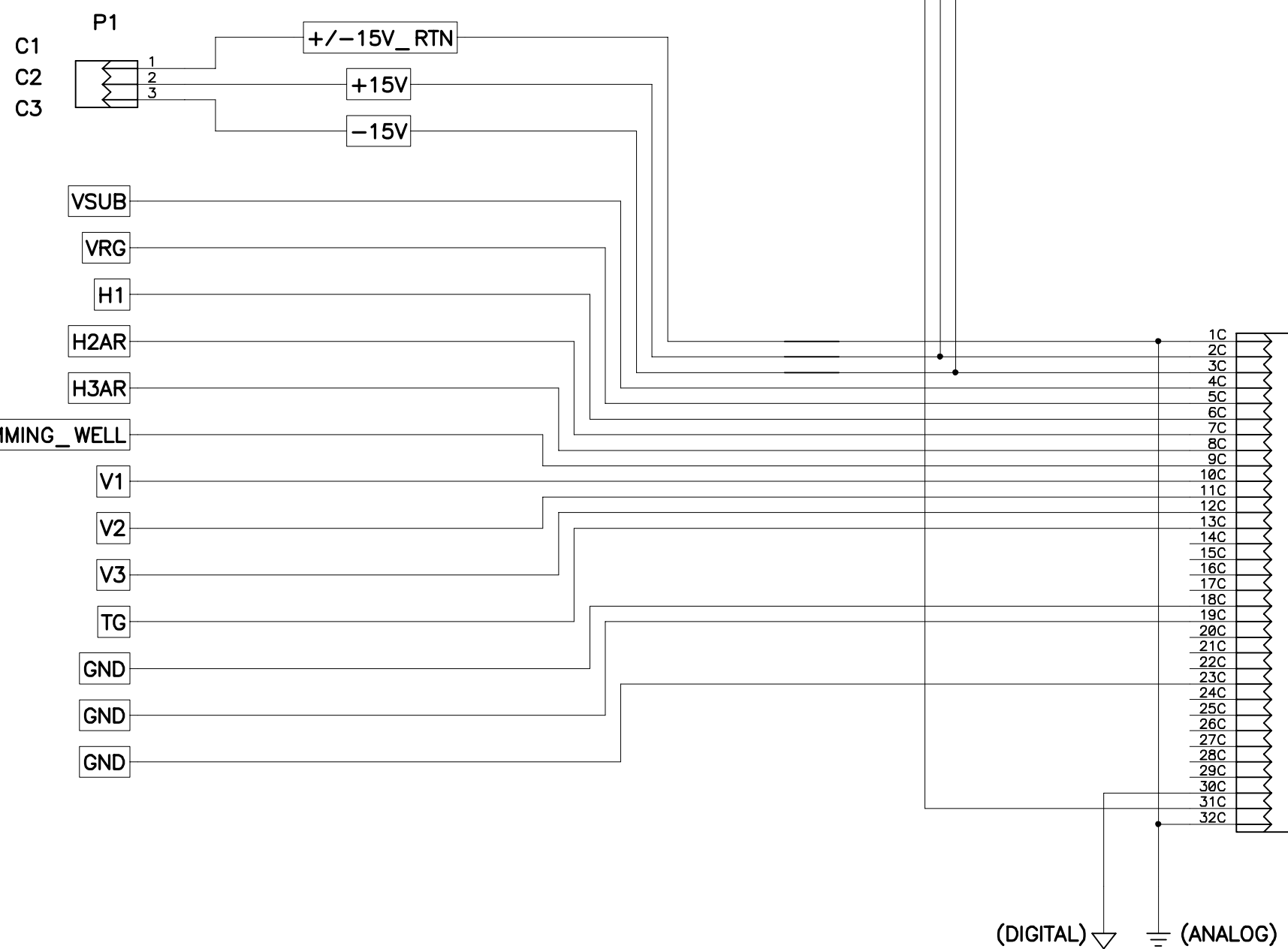
**BUS POWER PINS**

- +15V A,B,C-2
- 15V A,B,C-3
- 34V A-8
- +48V A-29
- +5V A,B,C-31

**BUS GROUND PINS**



FROM FILTER BOARD #2



'C' BUS  
CCD SIGNAL INPUTS & POWER

(CCD SIGNAL INPUTS TO  
2 ANALOG SWITCH BOARDS)

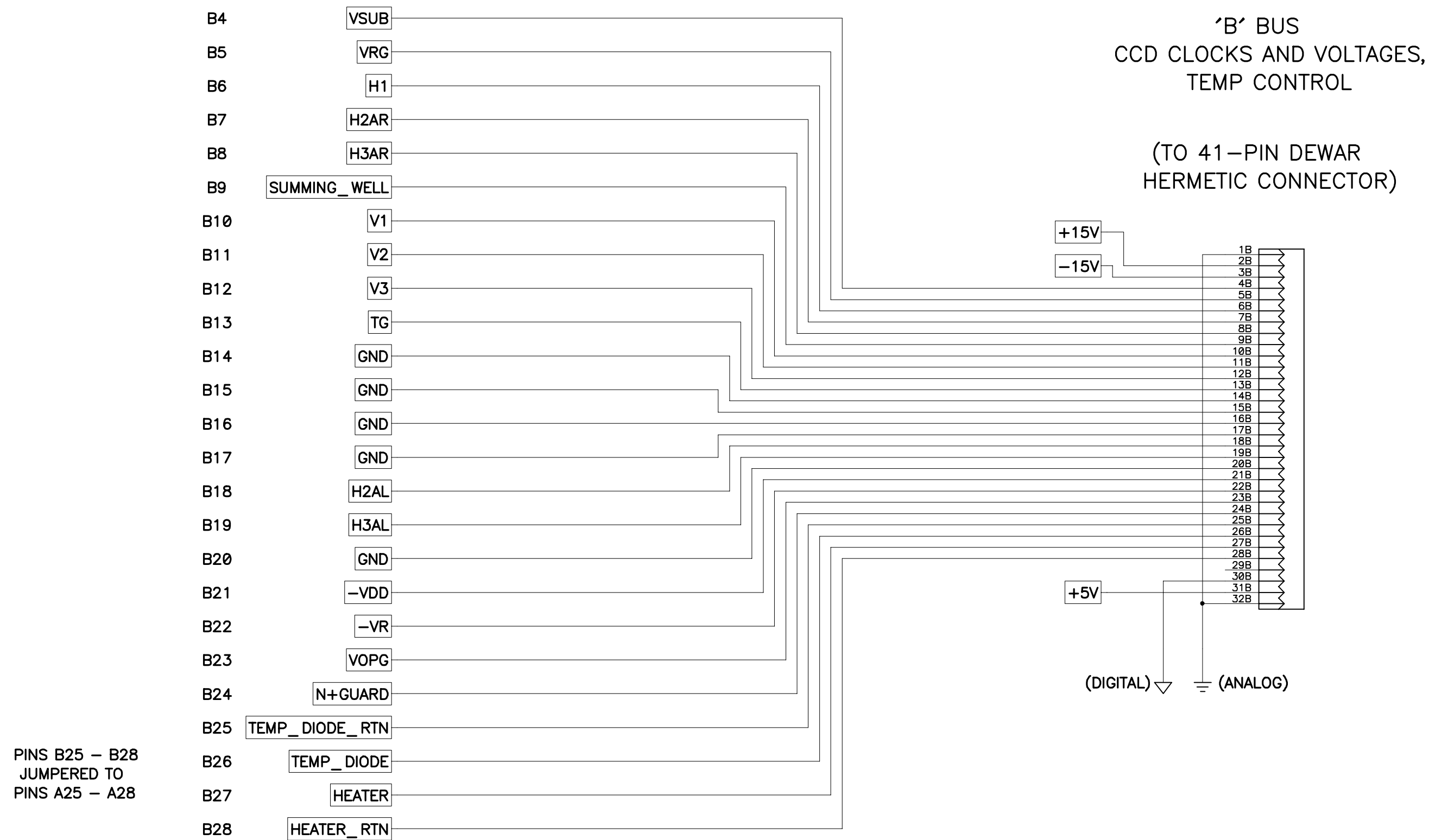
FROM 41-PIN CONNECTOR

UNIVERSITY OF CALIFORNIA LICK OBSERVATORY	
LBNL Dewar Interconnection Board	
DWG. NO. EL-1292	REV A
DES'N BY: Chris Wright	ORIGIN DATE: June 15, 2001
Last SN:	MODIFY DATE:
PATH: HI_RHO_CCD\dewar_interconn.sch	SHEET 1 OF 2

REVISION

Note: This is a modified version of original EL-1110N board

OUTPUTS FROM  
2 ANALOG SWITCH BOARDS  
& BIAS VOLTAGE BOARD



UNIVERSITY OF CALIFORNIA LICK OBSERVATORY	
LBNL Dewar Interconnection Board	
DWG. NO.	EL-1292
DES'N BY: Chris Wright	ORIGIN DATE: June 15, 2001
Last SN:	MODIFY DATE:
PATH: HI_RHO_CCD\dewar_interconn.sch	SHEET 2 OF 2

REVISION
----------