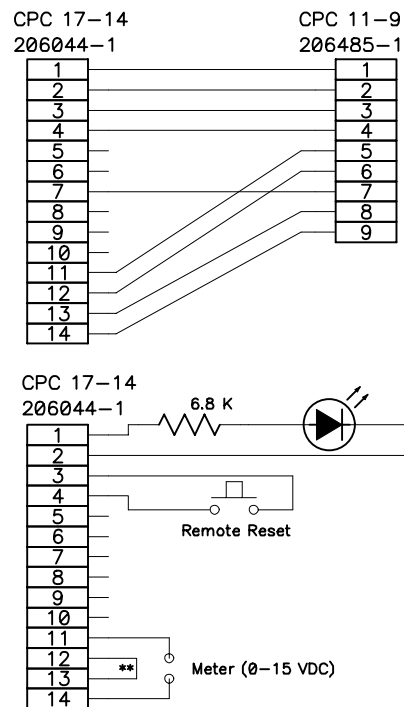
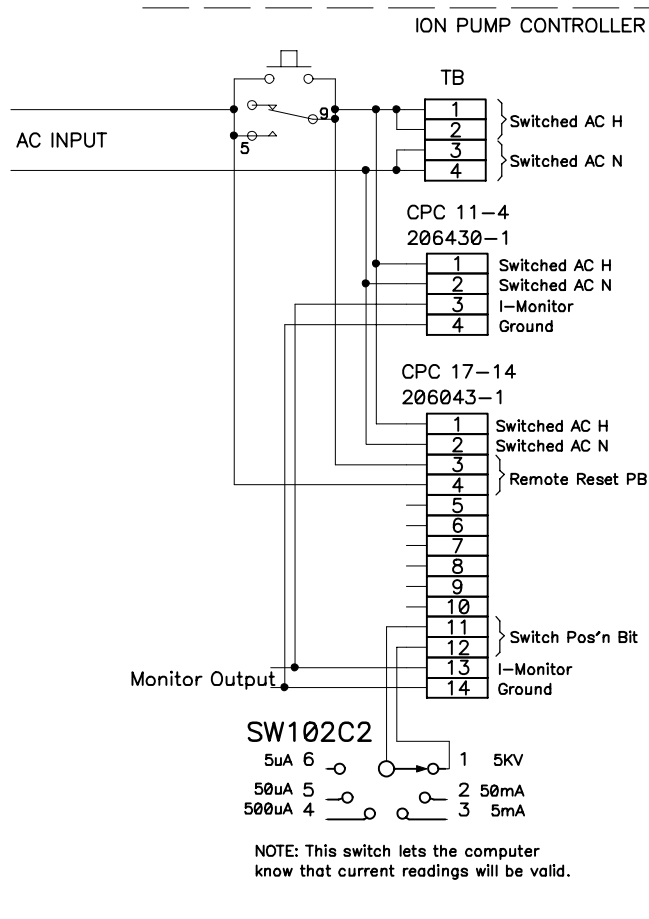


Use one CPC connector or the other, not both.  
(if a shield ground is needed, use pin 7)

<b>UNIVERSITY OF CALIFORNIA LICK OBSERVATORY</b>		<b>VARIAN ION PUMP CONTROLLER OVERLOAD PROTECTION</b>	
		<b>REVISION</b>	
DES'N BY: T Cantrall		ORIGIN DATE: 7-9-98	
Last SN:		MODIFY DATE: 12/21/98	
PATH: \DESIGNS\DEWAR\IONPUMPCONT\EL-1027B		REV. A	DWG. NO. NUM. 1 OF 2
			<b>EL-1027B-1S</b>

12/18/98 ENTERED INTO PCAD14  
03/27/00 ADDED SECOND SHEET FOR TEST PLUG AND CABLE to



## DEIMOS TEST CABLE

## TEST PLUG

\*\* Jumpering pins 12 and 13 tests the rotary switch function without the need to add an LED and external voltage source. It also simulates the need to have the switch in the 5KV position to enable the CCD controller to read the current monitor.

**UNIVERSITY OF CALIFORNIA  
LICK OBSERVATORY**

VARIAN ION PUMP CONTROLLER  
OVERLOAD PROTECTION

REVISION

DES'N BY: T Cantrall

ORIGIN DATE: 7-9-98

DWG. NO.

NUM. 2 OF 2

Last SN:

MODIFY DATE: 03/27/00

PATH: \DEWAR\IONPUMPCONT\EL-1027B

REV. A

**EL-1027B-1S**